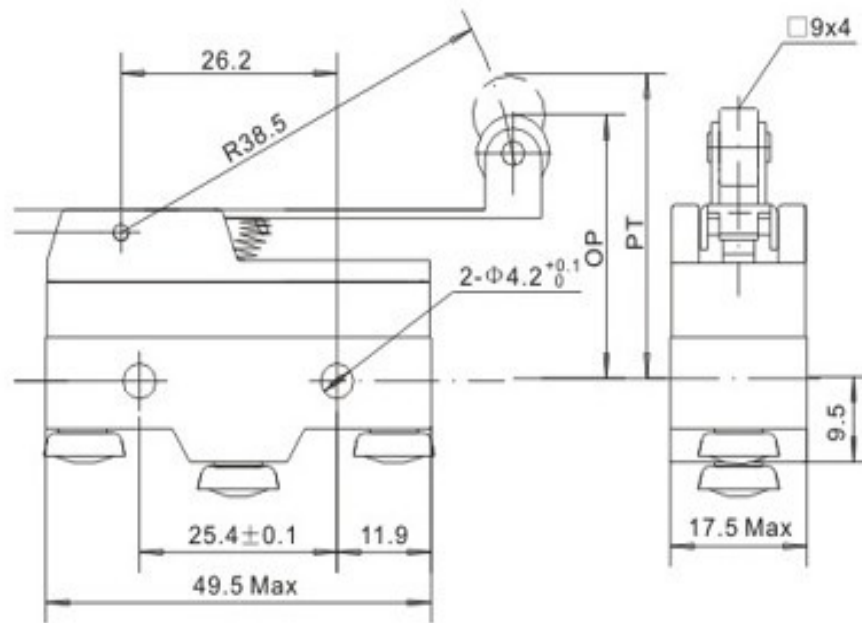


Mikroprzełącznik Z-15GW2-B nr kat. 00668



Feature:

Wide range of operation speed

High accuracy and waterproof

Variety of levers

Widely used in appliance, electronic equipment, automatic machine, communication equipment, car electric, apparatus and instrument, electro motion tool ect.

Specification

| Item | | Data |
|-------------------------------|---------------------|--------------------------|
| Operation speed | | 0.1mm-1m/s |
| Operation frequency | Mechanical | 240time/min |
| | Electrical | 20time/min |
| Insulation resistance | | 100MΩ(above)(DC500V) |
| Contact resistance | | 25MΩ Initial value |
| Withstand voltage | Non-connection wire | 1500VAC |
| | Every terminal | 2000VAC |
| Vibration | Misoperation | 10-55Hz (Amplitude)1.5mm |
| Impact | Durable | 1000m/s |
| | Misoperation | 300m/s |
| Life | Electical | 100,00(above) |
| | Mechanical | 1,000,000(baove) |
| Protection degree | | IP40/IP65 |
| Ambient operating temperature | | -25-80°C |
| Humidity | | <85% |