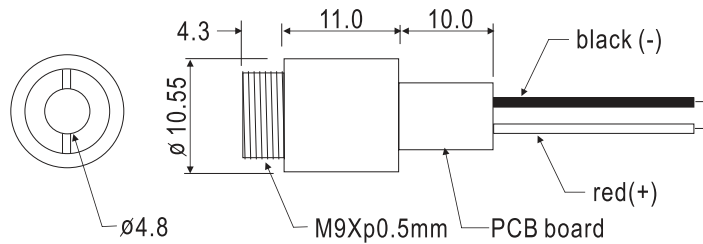


# Laser Products

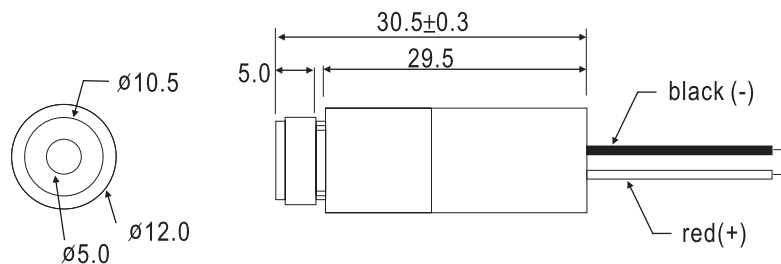
## Visible Laser Modules

Ta=25°C

| Device No | Color | Supply voltage | Wavelength | Output power | Application |
|-----------|-------|----------------|------------|--------------|-------------|
|-----------|-------|----------------|------------|--------------|-------------|



|                |             |     |        |       |                |
|----------------|-------------|-----|--------|-------|----------------|
| HLDPM10-650-1  | red laser   | 3 V | 650 nm | 1 mW  | laser pointer. |
| HLDPM10-650-3  | red laser   | 3 V | 650 nm | 3 mW  | laser pointer  |
| HLDPM10-635-1  | red laser   | 3 V | 635 nm | 1 mW  | laser pointer. |
| HLDPM10-635-3  | red laser   | 3 V | 635 nm | 3 mW  | laser pointer  |
| HLDPM14-635-15 | red laser   | 3 V | 635 nm | 15 mW | laser pointer  |
| HLDPM14-635-25 | red laser   | 3 V | 635 nm | 25 mW | laser pointer. |
| HLDPM12-532-3  | green laser | 3 V | 532 nm | 3 mW  | laser pointer  |



|                 |           |     |        |      |               |
|-----------------|-----------|-----|--------|------|---------------|
| HLDPM12-650-3S  | red laser | 3 V | 650 nm | 3 mW | laser liner   |
| HLDPM12-650-5S  | red laser | 3 V | 650 nm | 5 mW | laser liner   |
| HLDPM12-635-3S  | red laser | 3 V | 635 nm | 3 mW | laser liner   |
| HLDPM12-635-5S  | red laser | 3 V | 635 nm | 5 mW | laser liner   |
| HLDPM12-635-6S  | red laser | 3 V | 635 nm | 6 mW | laser liner   |
| HLDPM12-650-3SC | red laser | 3 V | 650 nm | 3 mW | laser cross   |
| HLDPM12-650-5SC | red laser | 3 V | 650 nm | 5 mW | laser cross   |
| HLDPM12-635-3SC | red laser | 3 V | 635 nm | 3 mW | laser cross   |
| HLDPM12-635-5SC | red laser | 3 V | 635 nm | 5 mW | laser cross   |
| HLDPM12-635-6SC | red laser | 3 V | 635 nm | 6 mW | laser cross   |
| HLDPM12-635-5   | red laser | 3 V | 635 nm | 5 mW | laser pointer |

### Safety considerations:

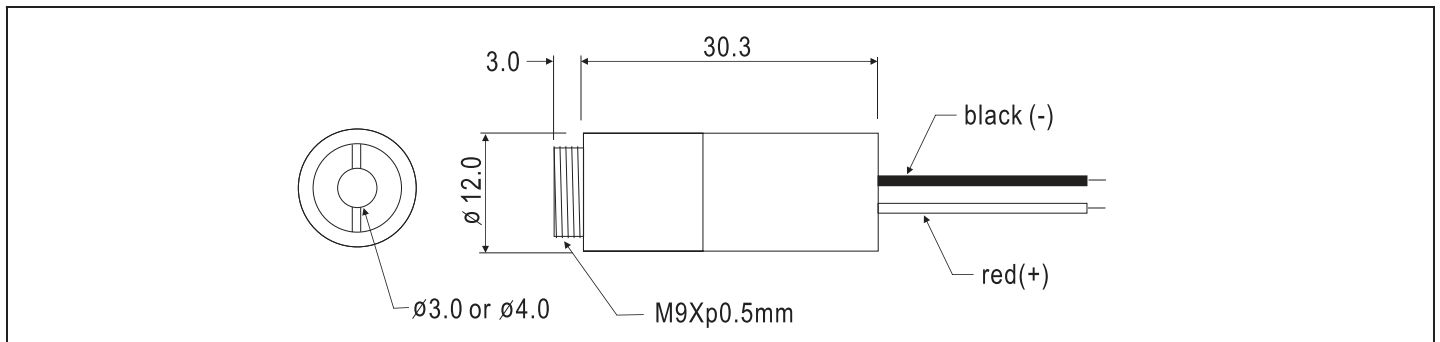
1. This product complies with 21 CFR 1040.10 and 1040.11
2. The beam emitted from the laser module is visible and may be harmful to the human eye. Avoid any possibility of looking into the laser package or the collimated beam along its optical axis when the device is in operation.
3. ESD precautions must be taken when handling unit.
4. visible laser radiation avoid direct exposure to beam.

# Laser Products

## Visible Laser Modules

Ta=25°C

| Device No | Color | Supply voltage | Wavelength | Output power | Application |
|-----------|-------|----------------|------------|--------------|-------------|
|-----------|-------|----------------|------------|--------------|-------------|



|                |           |             |        |             |   |
|----------------|-----------|-------------|--------|-------------|---|
| HLDPM12-655-1  | red laser | 2.5 ~ 4.0 V | 655 nm | 0.9~0.98 mW | laser pointer                                     |
| HLDPM12-655-3  | red laser | 2.5 ~ 4.0 V | 655 nm | 2.5~4.5 mW  | laser pointer.                                    |
| HLDPM12-655-5  | red laser | 2.5 ~ 4.0 V | 655 nm | 6.0~7.0 mW  | laser pointer.                                    |
| HLDPM12-655-10 | red laser | 2.5 ~ 4.0 V | 655 nm | 10 mW       | medical, lighting show, industrial level tooling. |
| HLDPM12-655-25 | red laser | 2.5 ~ 4.0 V | 655 nm | 25 mW       | medical, lighting show, industrial level tooling. |

### Safety considerations:

1. This product complies with 21 CFR 1040.10 and 1040.11
2. The beam emitted from the laser module is visible and may be harmful to the human eye. Avoid any possibility of looking into the laser package or the collimated beam along its optical axis when the device is in operation.
3. ESD precautions must be taken when handling unit.
4. visible laser radiation avoid direct exposure to beam.