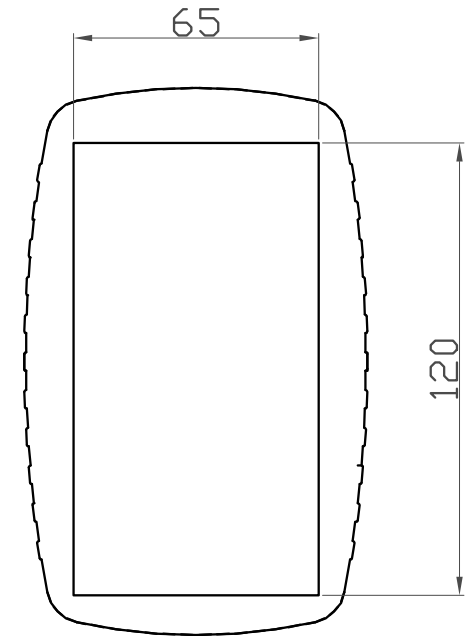
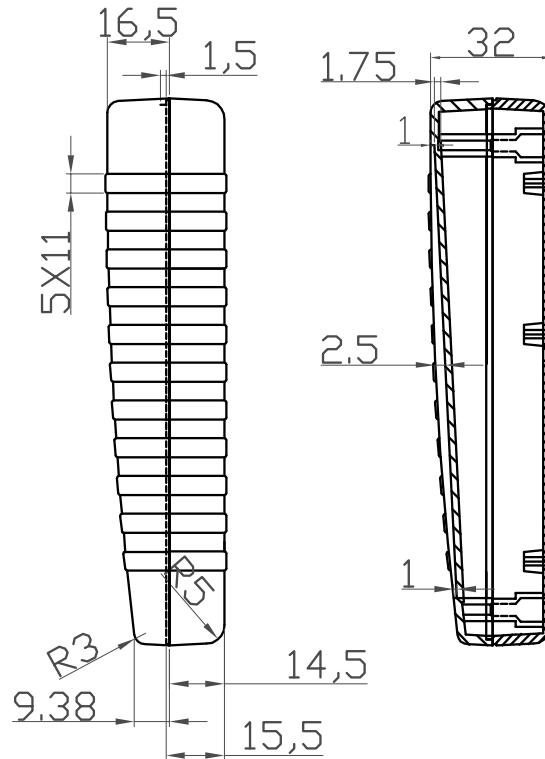
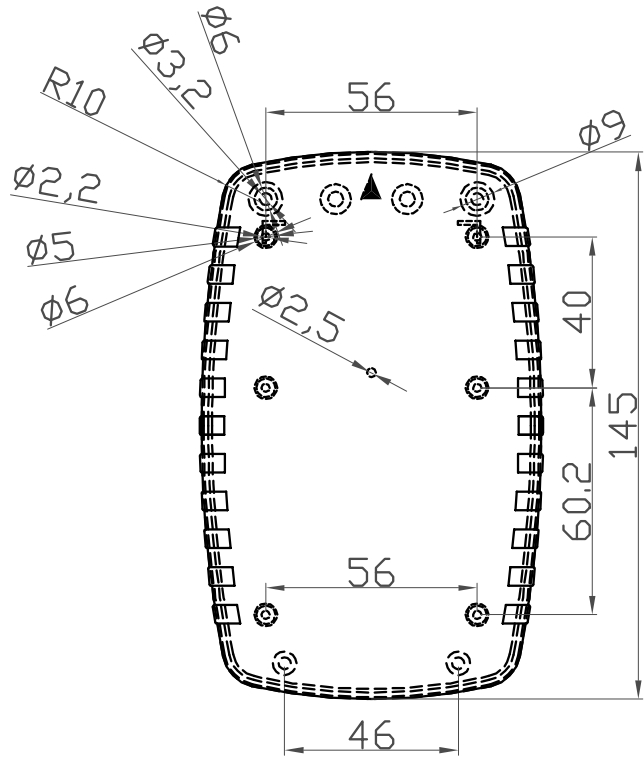
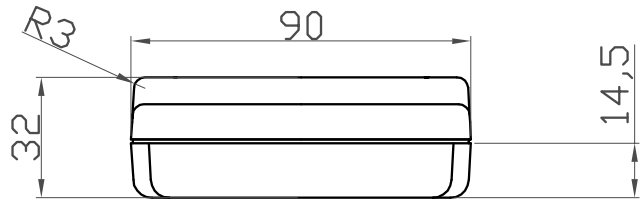


# G500B,G500G



宜又實業有限公司  
GAINTA INDUSTRIES LTD.

設計 DES'D BY  
BY

繪圖 DRA'D BY  
BY JACKY

核圖 CHK'D BY  
BY

比例 SCALE

日期 DATE  
DEC,21,2007

材質 MATE.  
ABS

圖名 TITLE:  
G500B,G500G

圖號 DWG NO.:

版次 REVISION  
c

說明 DESCRIPTION