

REV.	DESCRIPTION	DRAWN	CHECKED	APPROVED
A	NEW RELEASE	LJH 09/24/05'	~	LJC 09/24/05'
B	ADD 50pin drawing	LJC 02/10/07'	~	LJC 06/16/07'
C	ADD BR TYPE	YCH 07/10/07'	~	

NOTES:

- ELECTRICAL CHARACTERISTICS:
 - CONTACT RESISTANCE: 20mΩ Max. INITIAL.
 - DIELECTRIC WITHSTANDING VOLTAGE: 500V AC(rms) FOR 1 MINUTE.
 - INSULATION RESISTANCE: 1000MΩ Min.
- ENVIRONMENT CHARACTERISTICS:

TEMPERATURE RANGE: -45°C~+105°C.
- PART NUMBER: DS1033
- PRODUCT NUMBER CODE: DS1033- X X X X X X X

- SCREW DIM. A
- S: Standard(W/O nut)
 - 1: 5.00
 - 2: 3.00
 - 3: 5.20
 - 4: 4.80
 - 5: 5.80
 - 6: 4.00

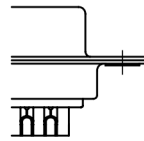
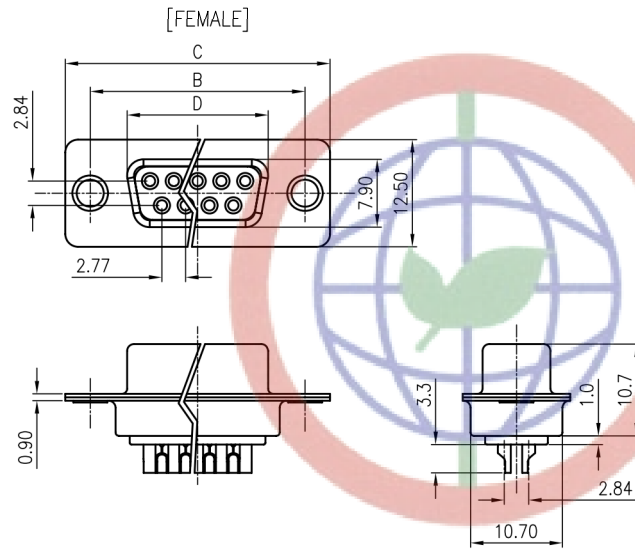
- SCREW TYPE
- S: Standard(W/O nut)
 - 1: CC TYPE
 - 2: CS TYPE

- CONTACT PLATING
- 8: FULL GOLD FLASH
 - Si: SELECTIVE GOLD FLASH
 - 6: Full Tin
- SHELL PLATING
- T: FRONT & BACK SHELL Tin
 - N: FRONT SHELL Nickel, BACK SHELL Tin

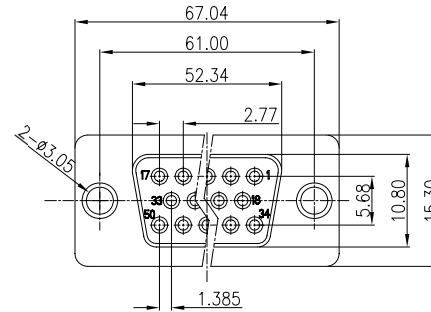
- HOUSING COLOR
- B: BLACK
 - W: WHITE
 - U: BLUE

- CONNECTOR TYPE
- M: Male
 - F: Female

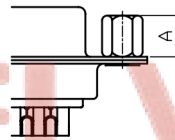
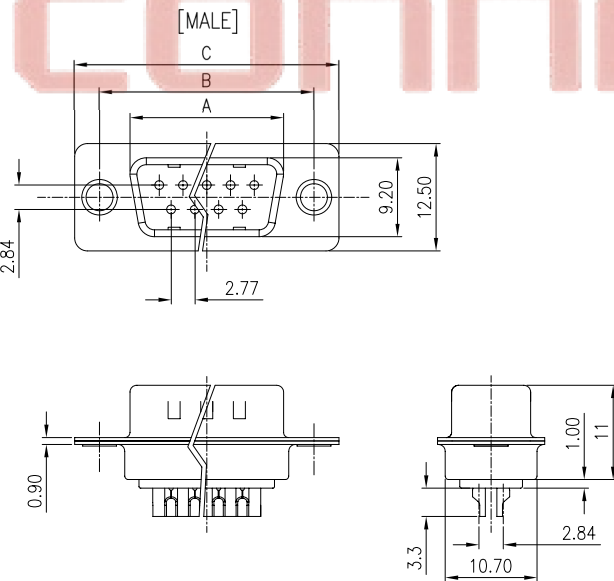
- No.OF CONTACTS
- 09: 9pos.
 - 15: 15pos.
 - 25: 25pos.
 - 37: 37pos.
 - 50: 50pos.



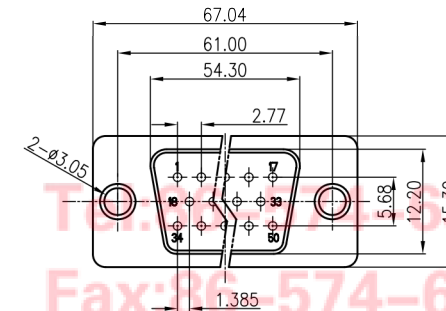
Standard



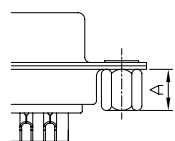
50pin Female Figure



CC TYPE



50pin Male Figure



CS TYPE

Dimension

Position	A±0.2	B±0.2	C±0.3	D
9	17.90	24.99	30.80	16.33
15	26.50	33.32	39.14	24.66
25	40.00	47.04	53.04	38.38
37	56.50	63.50	69.32	54.84

GENERAL TOLERANCE		ANGLE TOLERANCE		PROJECTION	TITLE	
X.	±0.60	X.	±5°		D-SUB SOLDER TYPE	
.X	±0.38	.X	±3°	UNITS		mm
.XX	±0.25	.XX	±2°	SHEET SIZE		A4
DRAWING TYPE		CUSTOMER		SERIES DS1033 SERIES		
SCALE		1:1		SHEET 1 OF 1		
DRAWING NO.		C-DS1033-XXXXXXX		晨翔电子有限公司 CONNFLY CONNFLY ELECTRONIC CO. LTD		

Tel: 86-574-63508787
 Fax: 86-574-63510817
 E-mail: sale@zhenqin.com.cn
 Http://www.connfly.com