

# AK3950/..-5.0-GREEN



### Technical Data

Wire Sizes		Insulating Material	
Solid min	0.08 mm <sup>2</sup>	Material	PA 6.6
solid max	2.5 mm <sup>2</sup>	Flammability Class	UL 94 V-0
Stranded (flexible) min	0.08 mm <sup>2</sup>	<b>Temperatures</b>	
Stranded (flexible) max	2.5 mm <sup>2</sup>	Operating Temperature	-30 °C - 105 °C
Stranded with Ferrule min	0.14 mm <sup>2</sup>	<b>Wave Soldering Process</b>	
Stranded with Ferrule max	1.5 mm <sup>2</sup>	Soldering Temperature, recommended	-
<b>Dimensions</b>		Peak Soldering Time, recommended	-
Stripped Length	8.5 mm	<b>Reflow Process</b>	
<b>Materials</b>		Soldering Temperature, recommended	-
Contact Spring	Copper Alloy	Peak Soldering Time, recommended	-
Tension Spring	Stainless Steel		

### Colours

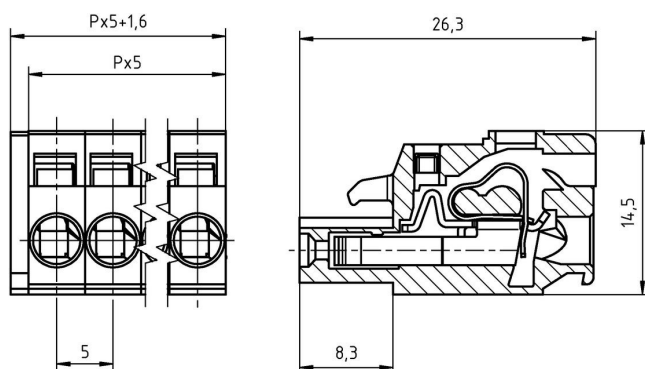
	GREEN, RAL6018
	PEBBLE GREY, RAL7032

Colours according to RAL, there may be variations on colour due to production conditions. Special colours on request.

### Counterparts (Spacing 5.0 mm)

Pin Strip/Terminal Blocks		
STL950	STL955	STL975

If there are combinations with different ratings, the lower value is valid.



### Order Data (Spacing 5.0 mm)

Poles	Width (mm)	Article Designation	Article Number	PU
2	11.60	AK3950/2-5.0-GREEN	53950020001D	50
3	16.60	AK3950/3-5.0-GREEN	53950030001D	50
4	21.60	AK3950/4-5.0-GREEN	53950040001D	50
5	26.60	AK3950/5-5.0-GREEN	53950050001D	50
6	31.60	AK3950/6-5.0-GREEN	53950060001D	50
7	36.60	AK3950/7-5.0-GREEN	53950070001D	50
8	41.60	AK3950/8-5.0-GREEN	53950080001D	50
9	46.60	AK3950/9-5.0-GREEN	53950090001D	50
10	51.60	AK3950/10-5.0-GREEN	53950100001D	50
11	56.60	AK3950/11-5.0-GREEN	53950110001D	50
12	61.60	AK3950/12-5.0-GREEN	53950120001D	50
13	66.60	AK3950/13-5.0-GREEN	53950130001D	50
14	71.60	AK3950/14-5.0-GREEN	53950140001D	50
15	76.60	AK3950/15-5.0-GREEN	53950150001D	50
16	81.60	AK3950/16-5.0-GREEN	53950160001D	50
17	86.60	AK3950/17-5.0-GREEN	53950170001D	50
18	91.60	AK3950/18-5.0-GREEN	53950180001D	50
19	96.60	AK3950/19-5.0-GREEN	53950190001D	50
20	101.60	AK3950/20-5.0-GREEN	53950200001D	50
21	106.60	AK3950/21-5.0-GREEN	53950210001D	50
22	111.60	AK3950/22-5.0-GREEN	53950220001D	50
23	116.60	AK3950/23-5.0-GREEN	53950230001D	50
24	121.60	AK3950/24-5.0-GREEN	53950240001D	50

### Accessories

Figure	Designation	Article Number
	Bridge, 2-pole, insulated, BRI/2-5.0/5.08-LIGHT GREY	50000000006
	Bridge, 3-pole, insulated, BRI/3-5.0/5.08-LIGHT GREY	50000000007
	Coding star CS1-5.0/5.08-RED	50000000021

### Ratings



Usegroup	B	C	D		
Rated Voltage	300 V	-	300 V	250 V	
Rated Current	15 A	-	10 A	12 A	
Overtoltage Category				III	
Rated Wire Size			min		max
	solid	AWG 28-12	-	AWG 28-12	0.5 mm <sup>2</sup> (5 A) / 2.5 mm <sup>2</sup> (12 A)
	stranded	AWG 28-12	-	AWG 28-12	0.5 mm <sup>2</sup> (5 A) / 2.5 mm <sup>2</sup> (12 A)
Test Voltage	1.6 kV		-	1.6 kV	
Pollution Degree					3