

AK700/..-5.0-V-GRÜN



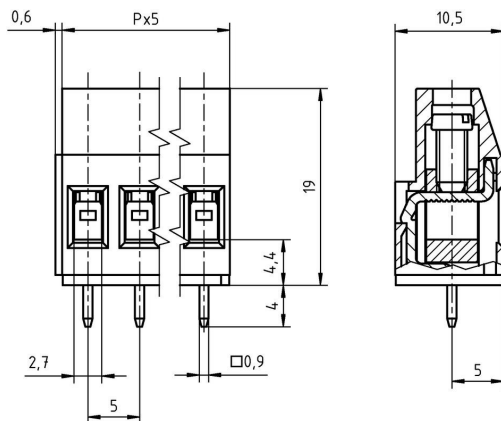
Technical Data

Wire Sizes		Insulating Material	
Solid min	0.2 mm ²	Material	PA 6.6
solid max	4.0 mm ²	Flammability Class	UL 94 V-0
Stranded (flexible) min	0.2 mm ²	Temperatures	
Stranded (flexible) max	2.5 mm ²	Operating Temperature	-30 °C - 105 °C
Stranded with Ferrule min	0.25 mm ²	Wave Soldering Process	
Stranded with Ferrule max	2.5 mm ²	Soldering Temperature, recommended	265 °C
Dimensions		Peak Soldering Time, recommended	3-4 s
Stripped Length	8.0 mm	Reflow Process	
PCB Hole Diameter	1.3 mm	Soldering Temperature, recommended	-
Materials		Peak Soldering Time, recommended	-
Clamp	Brass		
Screw	Steel		
Solder Tag	Copper Alloy		

Colours

	GREEN, RAL6018
	GREY, RAL7016
	PEBBLE GREY, RAL7032
	BLUE, RAL5015
	LIGHT GREEN, similar RAL 6018

Colours according to RAL, there may be variations on colour due to production conditions.
Special colours on request.



Order Data (Spacing 5.0 mm)

Poles	Width (mm)	Article Designation	Article Number	PU
2	10.60	AK700/2-5.0-V-GRÜN	50700020201F	200
3	15.60	AK700/3-5.0-V-GRÜN	50700030201F	200
4	20.60	AK700/4-5.0-V-GRÜN	50700040201F	200
5	25.60	AK700/5-5.0-V-GRÜN	50700050201F	200
6	30.60	AK700/6-5.0-V-GRÜN	50700060201E	100
7	35.60	AK700/7-5.0-V-GRÜN	50700070201E	100
8	40.60	AK700/8-5.0-V-GRÜN	50700080201E	100
9	45.60	AK700/9-5.0-V-GRÜN	50700090201E	100
10	50.60	AK700/10-5.0-V-GRÜN	50700100201D	50
11	55.60	AK700/11-5.0-V-GRÜN	50700110201D	50
12	60.60	AK700/12-5.0-V-GRÜN	50700120201D	50

Accessories

Figure	Designation	Article Number
	Bridge, 2-pole, insulated, BRI/2-5.0/5.08-LIGHT GREY	50000000006
	Bridge, 3-pole, insulated, BRI/3-5.0/5.08-LIGHT GREY	50000000007
	Bridge, 2-pole, BR/2-5.0/5.08-L7.0	50000000008
	Screw cover SC-AK700-YELLOW	50700000004

Ratings



Usegroup	B	C	D		
Rated Voltage	300 V	-	300 V	250 V	
Rated Current	20 A	-	10 A	24 A	
Rated Wire Size			min		max
	solid	AWG 30-12	-	AWG 30-12	0.5 mm ² 4.0 mm ²
	stranded	AWG 30-12	-	AWG 30-12	0.5 mm ² 2.5 mm ²
Torque	0.45 Nm		0.45 Nm		0.50 Nm
Screw Size	M3		M3		M3
Test Voltage	1.6 kV		1.6 kV		2.0 kV