

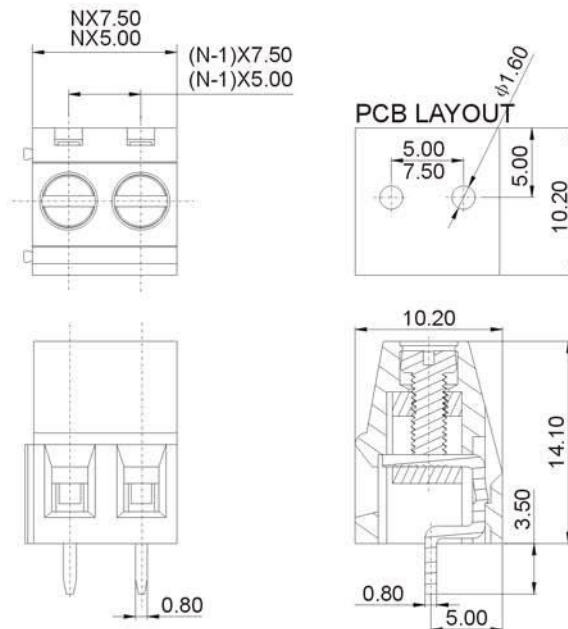


DEGSON ELECTRONICS CO., LTD.

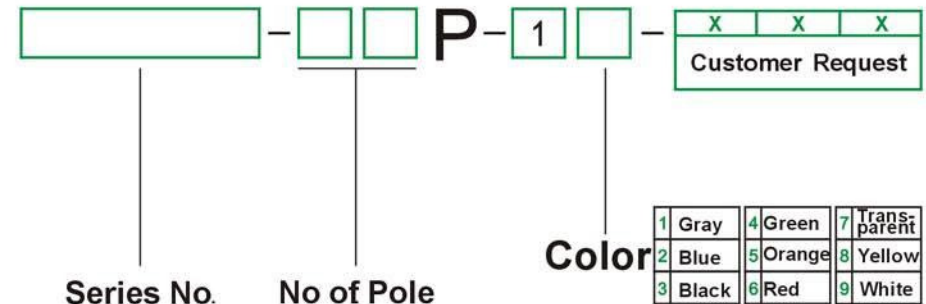
Product Specification



Material	
Screws :	M2.5 steel Zinc plated
Pin header:	Brass, Tin plated
Housing :	PA66, UL94V-0
Electrical	
Rated voltage :	300V
Rated current :	10A
Contact resistance :	20mΩ
Insulation resistance :	5000MΩ /DC1000V
Withstanding voltage:	AC2000V/1Min
Wire range :	24-12AWG 2.5mm ²
Mechanical	
Temp. Range :	-40°C~+105°C
Torque :	0.4Nm(3.6lb.in)
Strip length :	6-7mm



HOW TO ORDER:



	DEGSON ELECTRONICS CO., LTD.
	NAME DG128-5.0 DG128-7.5