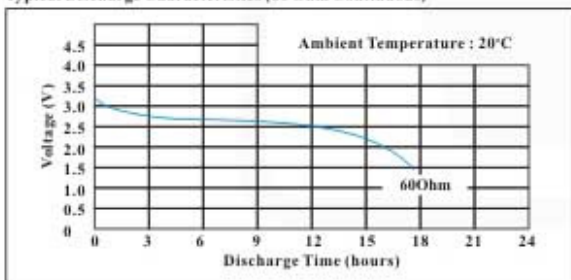


# LITHIUM PHOTO BATTERY

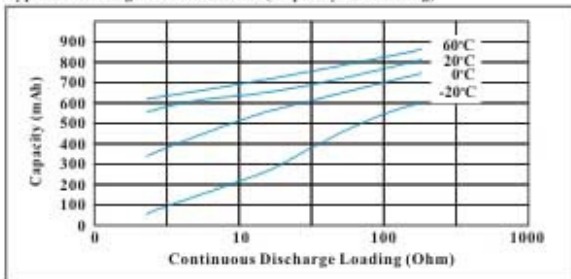
## SPECIFICATIONS

|                     |   |  |
|---------------------|---|--|
| Model               | : | CR2  |
| Description         | : | Lithium Photo Battery  |
| Nominal Capacity    | : | 750mAh at 60 Ohm continuous discharge  |
| Nominal Voltage     | : | 3.0 V  |
| Cut-Off Voltage     | : | 1.5 V  |
| Weight              | : | 10 g   |
| Self-Life           | : | 10 years ex-factory  |
| Ambient Temperature | : | -20 - 60 degC  |
| Service Life        | : | Over 15 (Typ. 17.5) hrs at 60 Ohm continuous discharge<br>Over 350 (Typ. 420) cycles at 1.5A pulse drain |
| Application         | : | Camera, Flashlight, Alarm  |

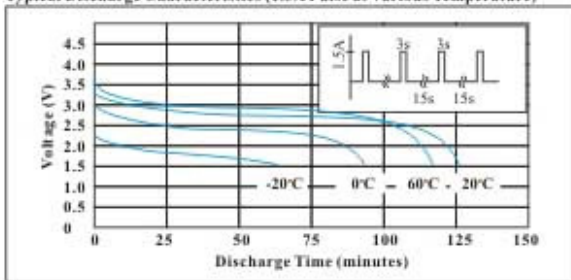
Typical Discharge Characteristics (60 Ohm Continuous)



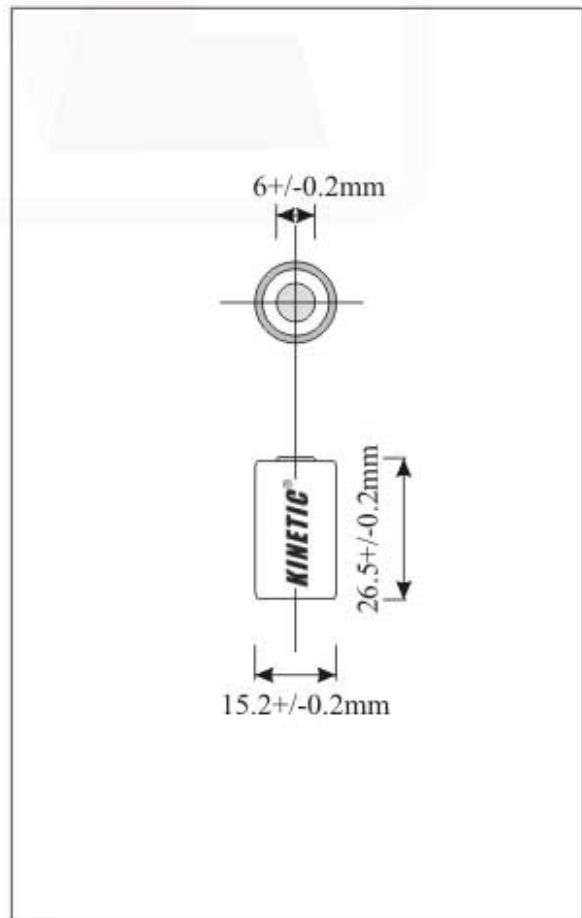
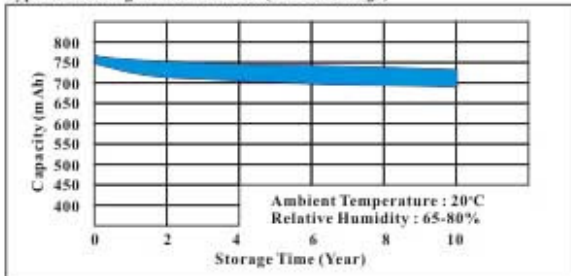
Typical Discharge Characteristics (Capacity vs. Loading)



Typical Discharge Characteristics (1.5A Pulse at Various Temperature)



Typical Discharge Characteristics (Self-Discharge)



Typical Cycle Life (1.5A Pulse Drain)

