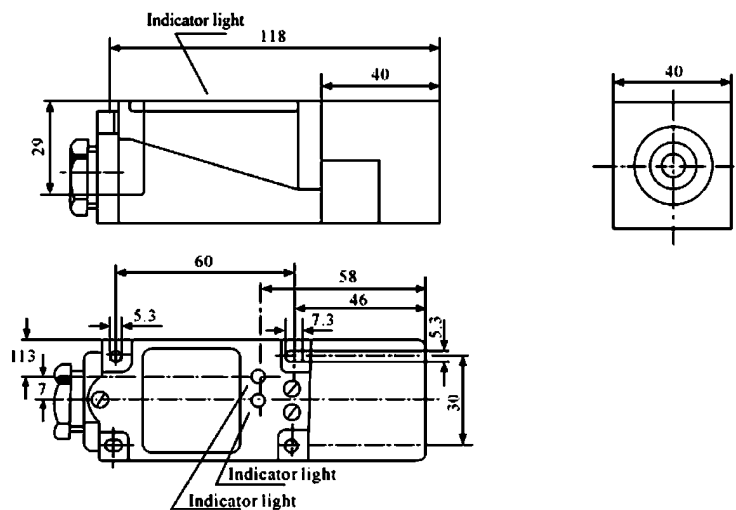


JG40L-Z Inductive Proximity Sensor



Detected Distance Sn		15mm		20mm	
Setting Distance Sn		0-12mm		0-16mm	
Standard Detected A3 Steel		60 × 60 × 1mm ³		60 × 60 × 1mm ³	
Installation mode		Flush Type		Not flush Type	
DC power	NPN	NO	JG40L-Z20NK	JG40L-Z20NK	
		NC	JG40L-Z20NB	JG40L-Z20NB	
		NO/NC	JG40L-Z20NH	JG40L-Z20NH	
	PNP	NO	JG40L-Z20PK	JG40L-Z20PK	
		NC	JG40L-Z20PB	JG40L-Z20PB	
		NO/NC	JG40L-Z20PH	JG40L-Z20PH	
	Two-wire system NO		JG40L-Z20TK	JG40L-Z20TK	
Two-wire system NC		JG40L-Z20TB	JG40L-Z20TB		
AC power	Two-wire system NO		JG40L-Z20AK	JG40L-Z20AK	
	Two-wire system NC		JG40L-Z20AB	JG40L-Z20AB	
	Three-wire System Open/Close				
Supply voltage		DC10-30V AC90-250V			
Current consumption		NPN/PNP Transistor 10---15mA,DC two-wire ≤ 0.8mA,AC ≤ 2mA			
Output current		NPN/PNP Transistor ≤ 200mA,DC two-wire60---80mA,AC ≤ 300mA			
Output voltage drop		NPN/PNP Transistor ≤ 1.5V,DC two-wire ≤ 7V,AC ≤ 8V			
Response frequency		NPN/PNP Transistor400---800Hz,DC two-wire200Hz,AC10---20Hz			
Detected object		Metal			
Housing material		ABS Resin			
Ambient temperature		-25~70℃			
Insulation resistance		≥ 30M Ω			
Protection degree		IP67			