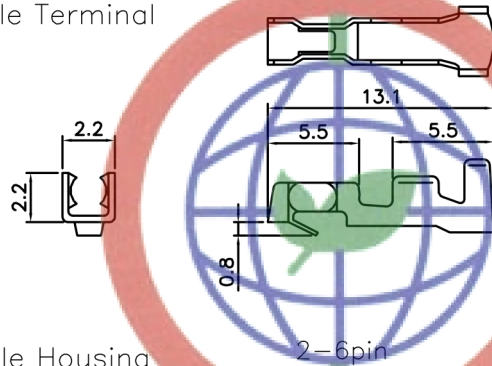


REV.	DESCRIPTION	DRAWN	CHECKED	APPROVED
A	NEW RELEASE	HP 29/06/05		

Female Terminal



Female Terminal

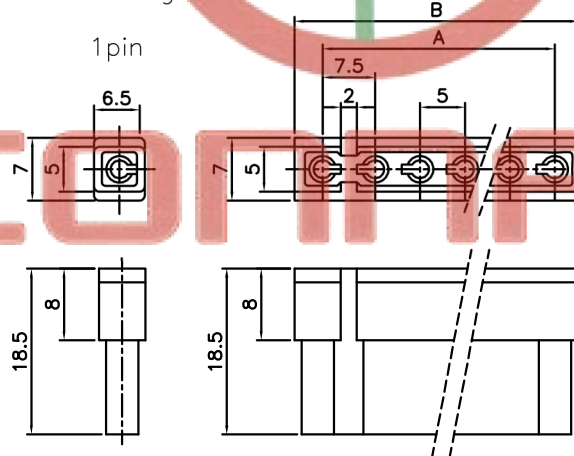
Wire Range		O.D of Wire
Section Area (mm ²)	AWG#	mm
0.13~0.5	26~20	1.3~2.7

NOTES:

1. MAIN SPECIFICATIONS

- . Housing material: NYLON 66
- . Wire range: AWG#26~#20
- . Rated voltage: 250V
- . Rated current: 1A
- . Contact resistance: ≤ 30mΩ
- . Insulation resistance: ≥ 1000MΩ
- . Withstanding voltage: 500V, AC 1 minute
- . Temperature range: -25 ~ +85°C
- . Recommend PC board thickness: 1.6mm

Female Housing



Female Housing

Position	Dimension	
	A	B
1		
2	7.5	12.5
3	12.5	17.5
4	17.5	22.5
5	22.5	27.5
6	27.5	32.5

2. PRODUCT NUMBER CODE:

DS1075 - X X X X X

Contact Plating
6: Tin
8: Full gold flash

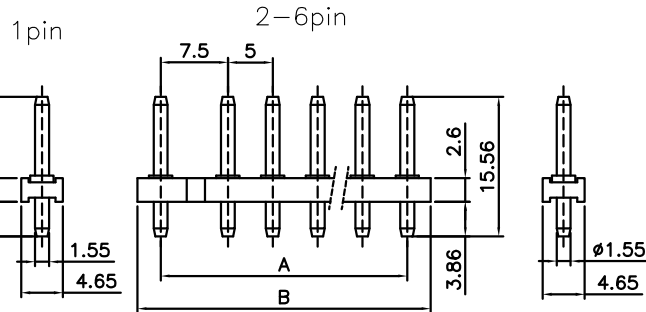
Housing Color
W: White

Mounting type
C: Crimp
V: V/T type

Connector type
M: Male
F: Female

No. of contact
1 2 3 4 5 6

Male



Male

Position	Dimension	
	A	B
1		
2	7.5	12.5
3	12.5	17.5
4	17.5	22.5
5	22.5	27.5
6	27.5	32.5

TEL: 86-574-63508787

Fax: 86-574-63510817

GENERAL TOLERANCE	ANGLE TOLERANCE	PROJECTION	TITLE
X. ±0.60 .X ±0.38 .XX ±0.25	X. ±5° .X ±3° .XX ±2°	mm A4	P.C.B CONNECTOR 7.5-5...5mm TJC2A
DRAWING TYPE	CUSTOMER	SHEET SIZE	SERIES DS1075
SCALE	1:1	SHEET	1 OF 1
DRAWING NO.	C-DS1075-XXXXX	晨翔电子有限公司 CONNFLY CONNFLY ELECTRONIC CO. LTD	

P.C.: 315921