



DEGSON ELECTRONICS CO., LTD.

Product Specification

DEVE-
LOPING



(Flat-bottom)

DG8HS-0 DG10HS-0
DG12HS-0 DG15HS-0
DG16HS-0 DG18HS-0



Flat-bottom

Model	Wire range (mm ²)	IEC datasheet		UI datasheet		Unit	Dimensions(mm/in.)					
		Rated current (A)	Rated voltage (V)	Rated current (A)	Rated voltage (V)		A	B	C	D	E	F
DG8HS-0	0.5-4.0mm ²	32A	450V	20A	300V	(mm)	96.05	17.80	14.30	8.20	φ 3.00	2.90*3.40
DG10HS-0	1.0-6.0mm ²	41A	450V	30A	300V	(mm)	116.70	20.00	15.60	10.00	φ 3.50	3.45*4.00
DG12HS-0	2.5-10.0mm ²	57A	750V	30A	300V	(mm)	134.30	23.40	17.80	11.50	φ 3.70	4.25*4.70
DG15HS-0	6.0-16.0mm ²	76A	750V	50A	300V	(mm)	174.80	25.20	21.80	15.00	φ 5.20	5.50*6.00
DG16HS-0	10.0-25.0mm ²	101A	750V	65A	300V	(mm)	188.00	30.00	26.50	16.00	φ 4.00	7.00*7.50
DG18HS-0	16.0-35.0mm ²	125A	750V	85A	600V	(mm)	212.10	36.50	28.50	18.00	φ 4.00	8.10*8.60

MODEL:DG □ HS-0

- ※ Housing material :PA66 +25%GF.,UL94V-0
- ※ Current carrier:Cladded copper strips;Cr³⁺ Zn plated
- ※ Screws: Steel, Cr³⁺ Zn plated
- ※ Ambient temperature:-40°C~T140°C
- ※ Poles available:2-12poles

HOW TO ORDER

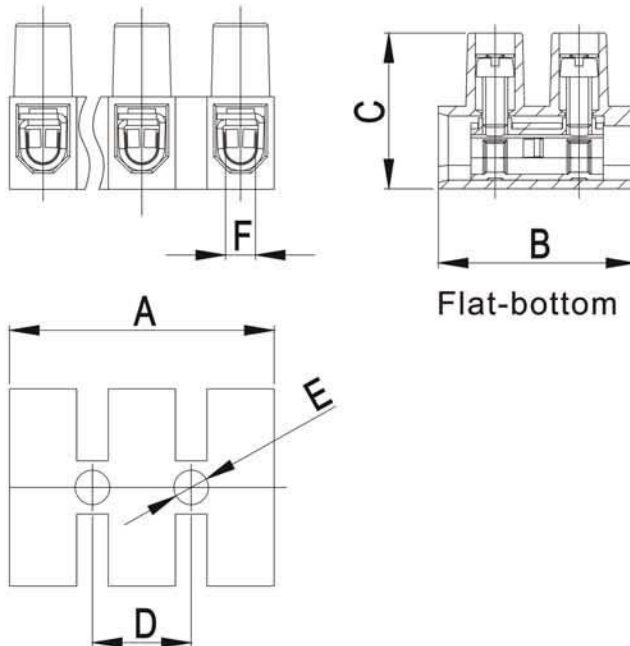


Series Number

Number of Pole

Color

1	Grey	4	Green	7	Trans-parent
2	Blue	5	Orange	8	Yellow
3	Black	6	Red	9	White



Flat-bottom

MM
(INCH)



DEGSON ELECTRONICS CO., LTD.

NAME

DG8HS-0 DG10HS-0
DG12HS-0 DG15HS-0
DG16HS-0 DG18HS-0