

REV. A	DESCRIPTION NEW RELEASE	DRAWN YCH 08/17/07	CHECKED ~	APPROVED

NOTES:

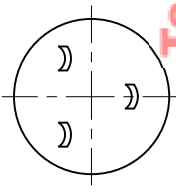
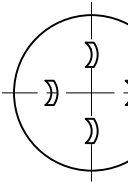
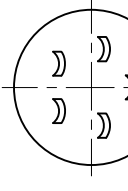
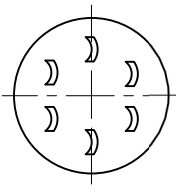
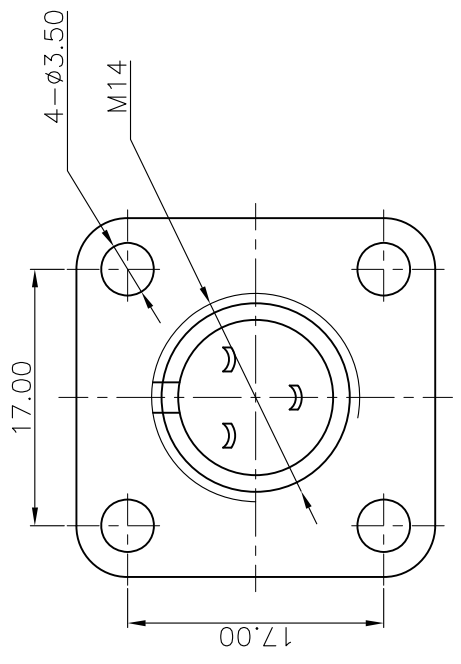
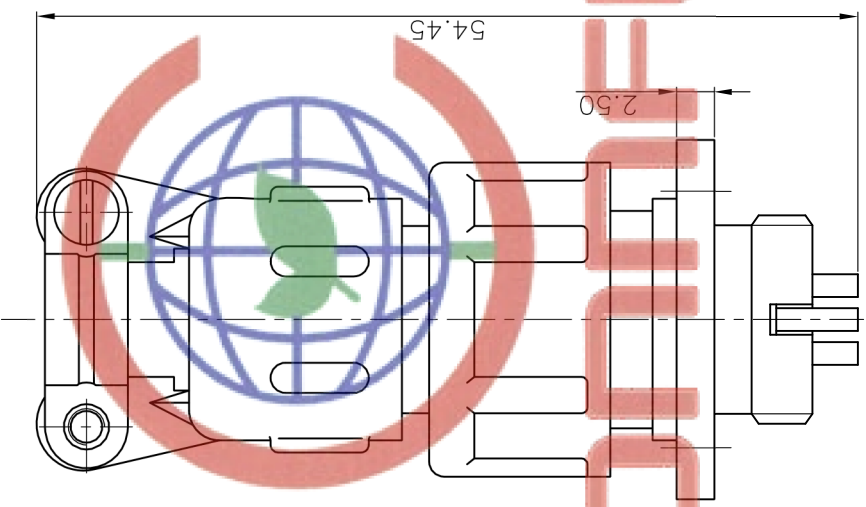
1.SPECIFICATION

- .CURRENT RATING: 5A Max.
- .DIELECTRIC WITH STANDING VOLTAGE: 500V(AC)
- .CONTACT RESISTANCE: 100mΩ Max.
- .INSULATION RESISTANCE: 1000MΩ(DC)Min.

2.PRODUCT NUMBER CODE:

DS1110-05 - X X X X

- X: SHELL SURFACE FINISHED
- P: SPRAY THE PAINT (GRAY)
- Y: CONTACT PLATING
- Y: SILVER
- L: COLOR OF HOUSING
- L: BLUE
- No. OF CONTACTS
- 03: 3pin
- 04: 4pin
- 05: 5pin
- 07: 7pin



Tel: 86-574-63508787
Fax: 86-574-63510817

GENERAL TOLERANCE	ANGLE TOLERANCE	PROJECTION	TITLE
X. ±0.60	X. ±5°	mm	MICRO JACK CONNECTOR
.X. ±0.38	.X. ±3'	A4	SERIES DS1110-05 SERIES
.XX ±0.25	.XX ±2		
DRAWING TYPE	CUSTOMER	UNITS	
SCALE	1:1	SHEET SIZE	
DRAWING NO.	C-DS1110-05-XXX	A4	
		SHEET NO.	
		1 OF 1	

CONNFLY ELECTRONIC CO. LTD
 晨翔电子有限公司
 Add: West Taomiao Road, Cixi, Ningbo, China
 P.C: 315321