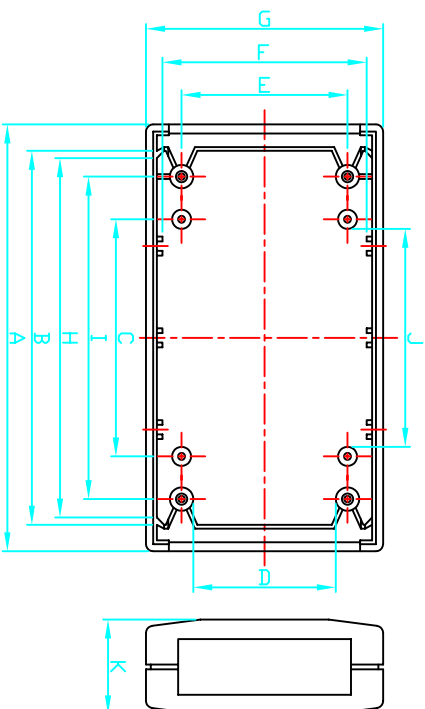
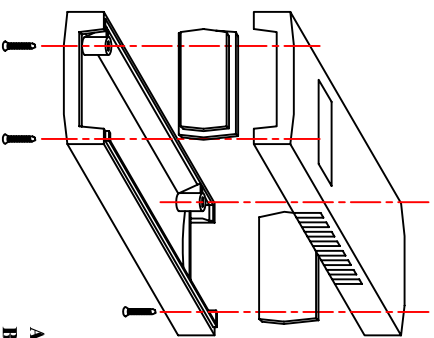


400 SERIES



A	G430	G431	G434	G436	G438	G440	G443	G445	G447	G452	G454	G459
B	90	90	90	120	120	150	150	150	190	190	190	190
C	83	83	83	111	111	138	138	138	180	180	180	180
D	50	50	50	80	80	110	110	110	150	150	150	150
E	27.5	27.5	27.5	26	26	46	46	46	65	65	65	65
F	35	35	35	35	35	55	55	55	75	75	75	75
G	40.5	40.5	40.5	44	44	64	64	64	83	83	83	83
H	50	50	50	60	60	80	80	80	100	100	100	100
I	79.4	79.4	79.4	108	108	138	138	138	176	176	176	176
J	68	68	68	98	98	128	128	128	168	168	168	168
K	42.5	42.5	42.5	72	72	100	100	100	140	140	140	140
	16	24	32	30	40	50	30	45	60	60	60	80

宣文實業有限公司
GAINTA INDUSTRIES LTD.

DESIGN BY	DRAWN BY	CHECKED BY	SCALE	DATE	MATERIAL	TITLE	DWG NO.	REVISED	DESCRIPTION
						400 SERIES			