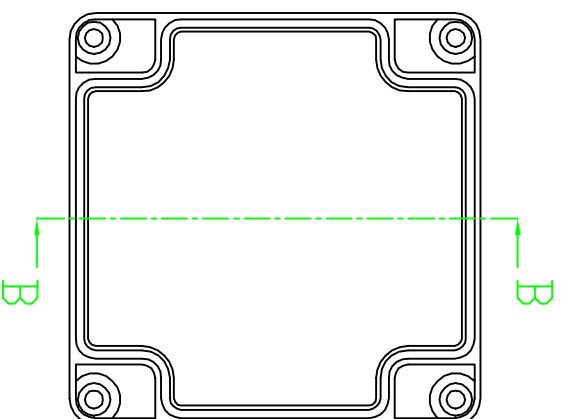
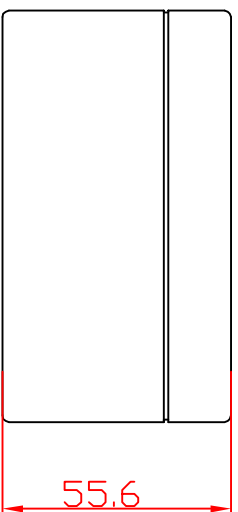
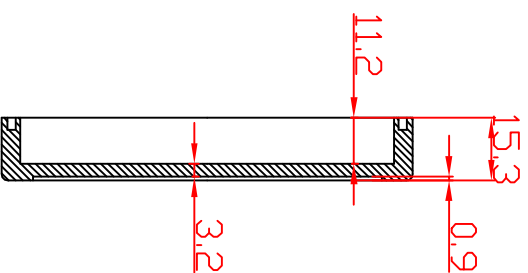
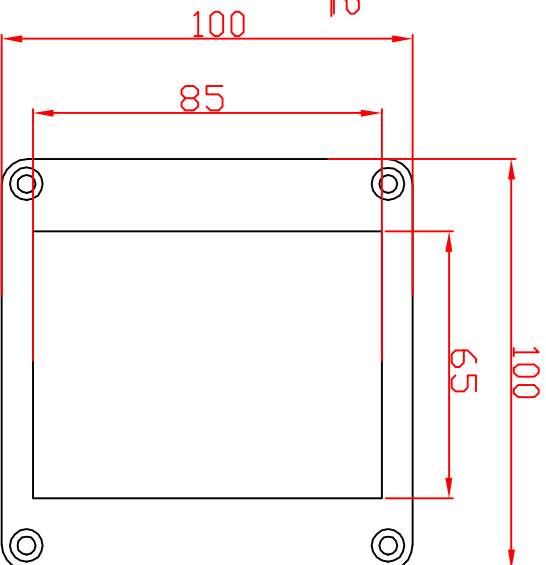
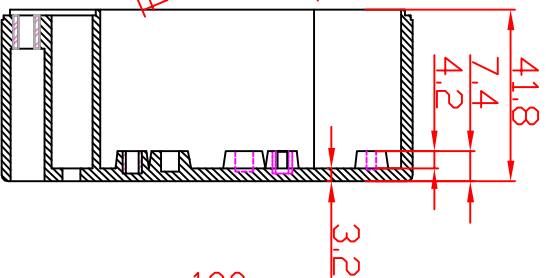
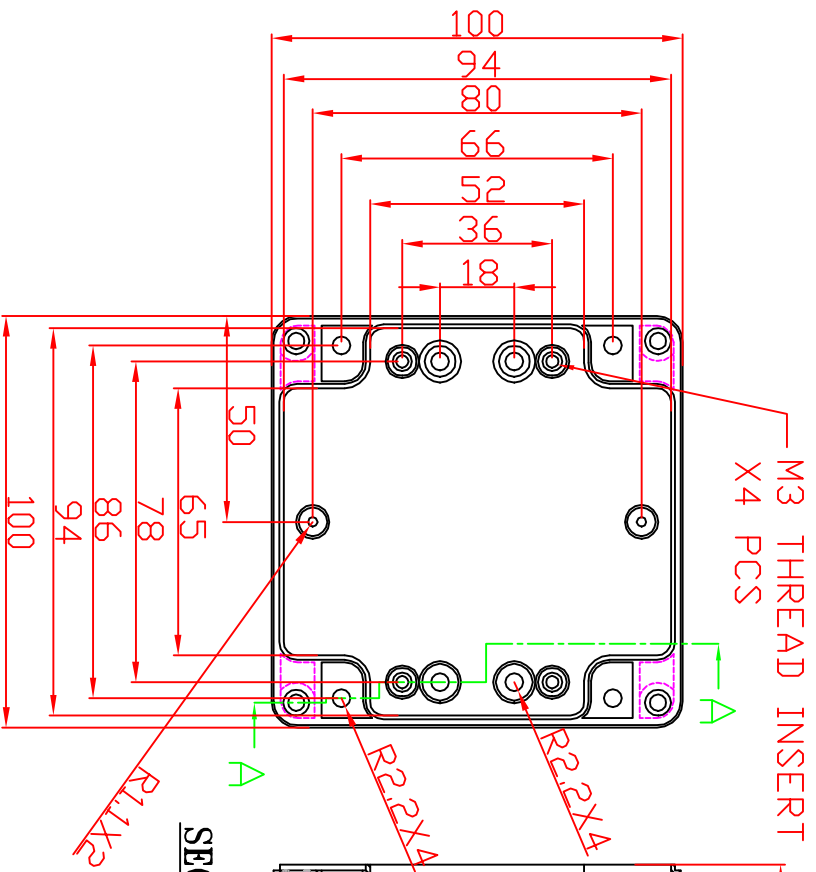


G2100/G3101



SECTION "A-A"

SECTION "B-B"

宣又實業有限公司
GAINTA INDUSTRIES LTD.

DESIGN BY

DRAWN BY
JACKY

CHECKED BY

SCALE

DATE
2009/6/17

MATERIAL
ABS,PC

TITLE
G2100/G3101

DWG NO.

REVISED
C

DESCRIPTION