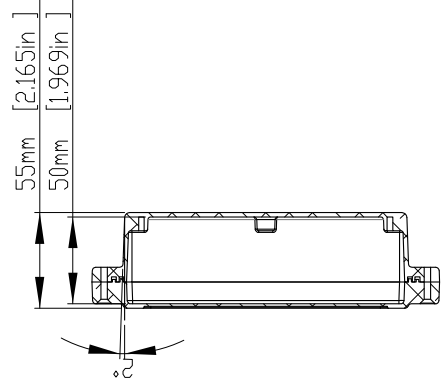
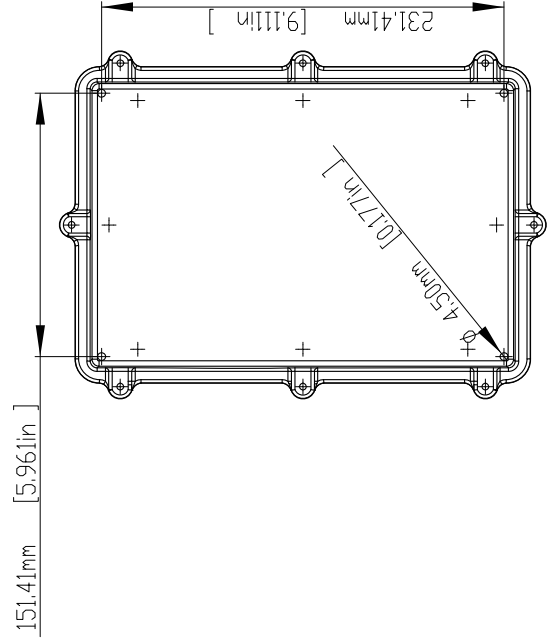
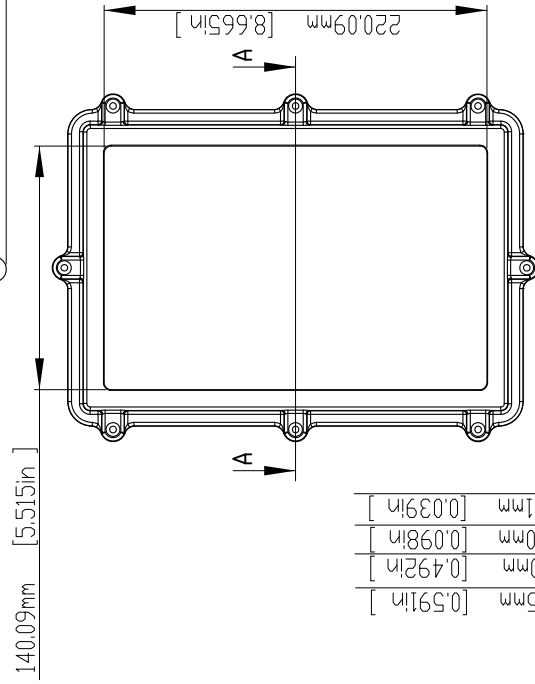
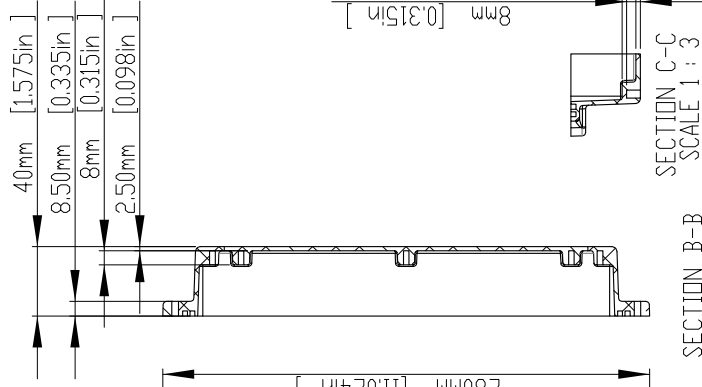
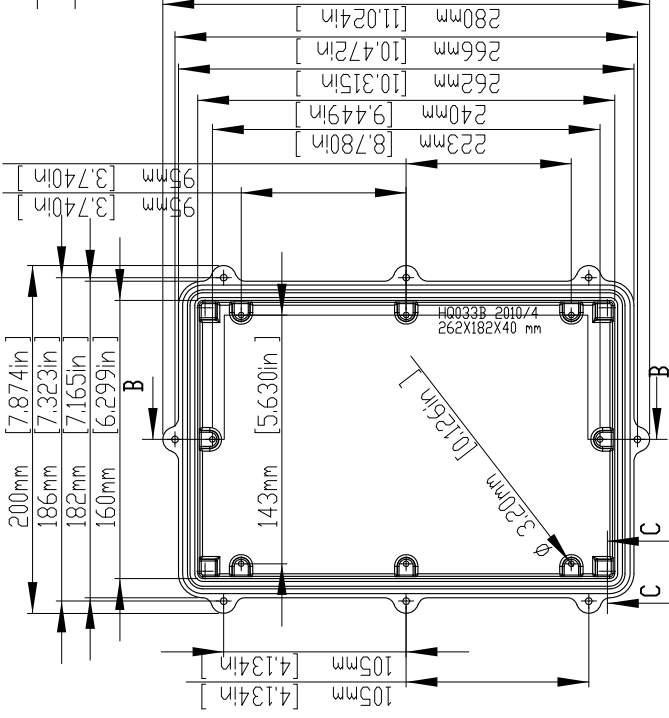
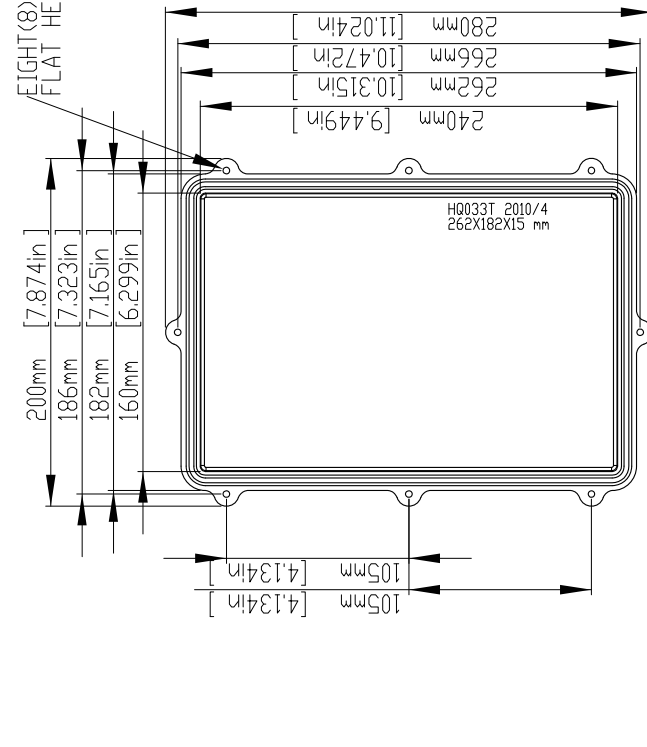


EIGHT (8) M4X20 mm
FLAT HEAD SCREWS



SECTION A-A
SCALE 1 : 3

TOLERANCES: ± 0.30 mm (± 0.012 in)

ITEM NO	DESCRIPTION
HQ033	NATURAL ALUMINIUM BOX<WITHOUT THE GASKET>
HQ033S	@@ IP67 RATING @@<WITH THE SILICON GASKET>
HQ033EMS	@@ IP67 RATING @@<WITH THE SILICON & SHIELDED GASKET>

MATERIAL: ALUMINIUM ALLOY #ADC-12

FINISH: NATURAL (NO SUFFIX)
GRAY (SUFFIX -LG)
BLACK (SUFFIX -BK)

- 1) EIGHT(8) M4 x 20mm (0.787") LG. SCREWS
SUPPLIED FOR ASSEMBLY OF COVER TO BODY
2) ALL HOLE DIAMETERS HAVE $\pm 0.10\text{mm}$ TOLERANCE
ALL OTHER DIMENSIONS HAVE $\pm 0.30\text{ mm}$ TOLERANCE

繪圖

DRAWN BY
JACKY

日期

2010/1/20

材質

ALUMINIUM ALLOY ADC-12

MATE.

圖名/TITLE:

HQ033

圖號/DWG NO:

版本/REVISID:

A

宣又實業有限公司
GAINTA INDUSTRIES LTD.