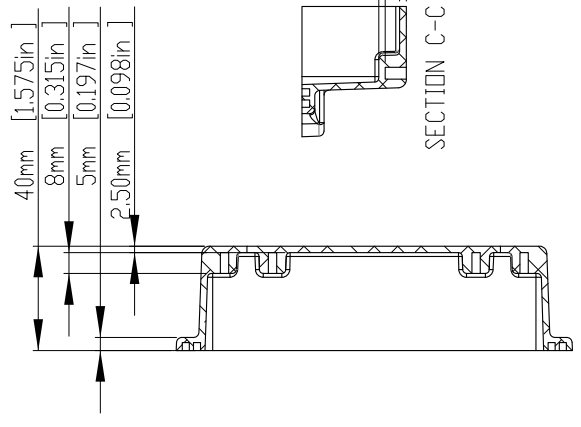
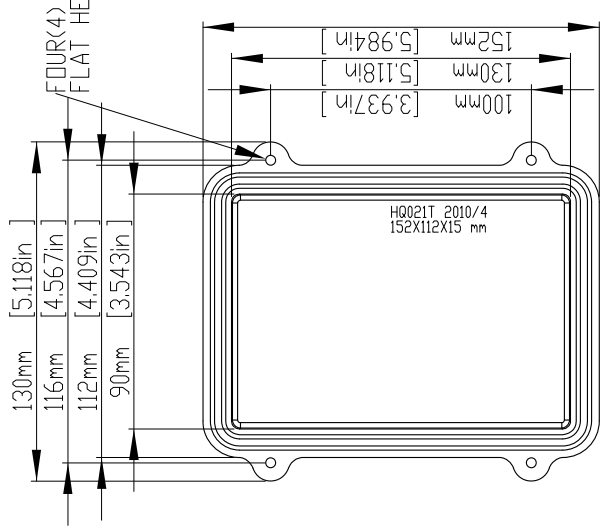
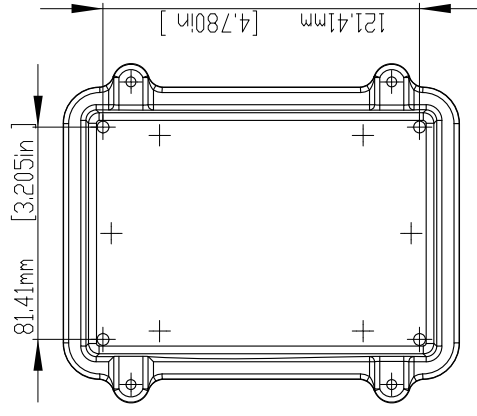


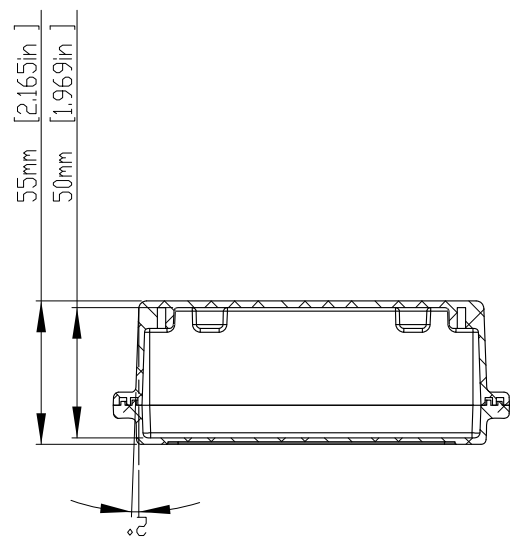
FOUR(4) M4X20 mm
FLAT HEAD SCREWS



SECTION B-B



SECTION D-D



SECTION A-A

TOLERANCES: ± 0.30 mm (± 0.012 in)

ITEM NO	DESCRIPTION
HQ0023	NATURAL ALUMINIUM BOX<WITHOUT THE GASKET>
HQ0023S	@@ IP67 RATING @@<WITH THE SILICON GASKET>
HQ0023EMS	@@ IP67 RATING @@<WITH THE SILICON & SHIELDED GASKET>

MATERIAL: ALUMINIUM ALLOY #ADC-12

FINISH: NATURAL (NO SUFFIX)
GRAY (SUFFIX -LG)
BLACK (SUFFIX -BK)

- 1) FOUR(4) M4 x 20mm (0.787") LG. SCREWS SUPPLIED FOR ASSEMBLY OF COVER TO BODY
2) ALL HOLE DIAMETERS HAVE ±0.10mm TOLERANCE
ALL OTHER DIMENSIONS HAVE ±0.30 mm TOLERANCE

宣又實業有限公司

GAINTA INDUSTRIES LTD.

繪圖

DRAWN BY

JACKY

日期

2010/1/4

DATE

材質

ALUMINIUM ALLOY ADC-12

MATE.

圖名/TITLE:

HQ0023

圖號/DWG NO:

版本/REVISID:

A