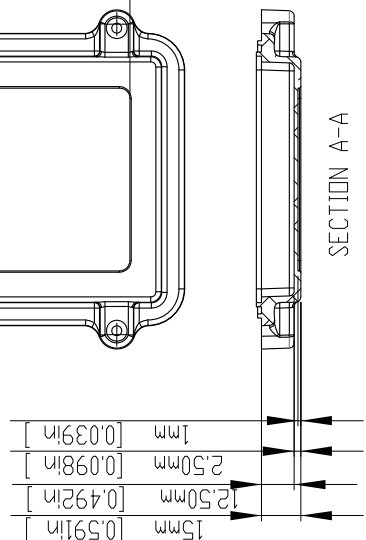
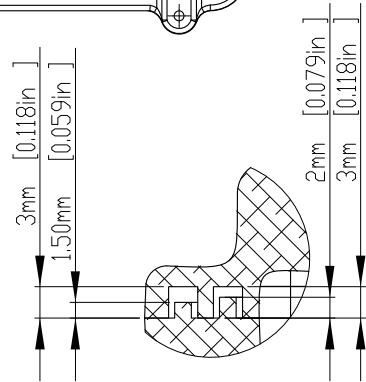
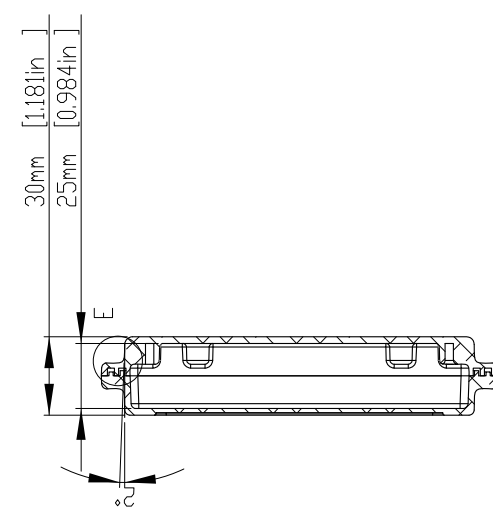
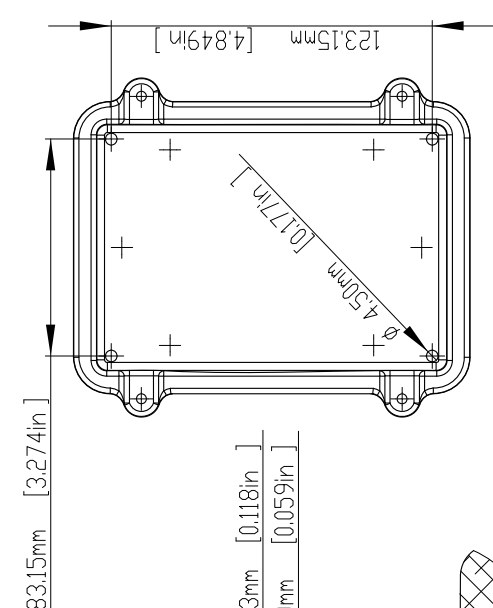
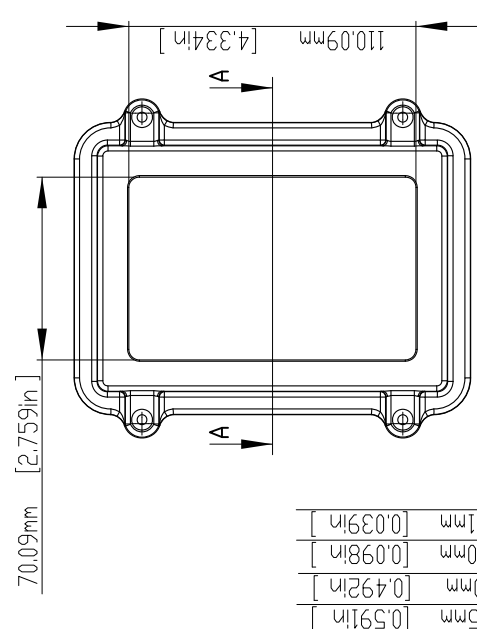
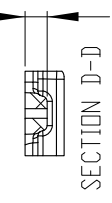
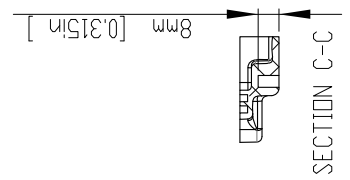
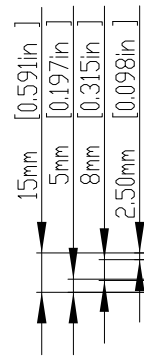
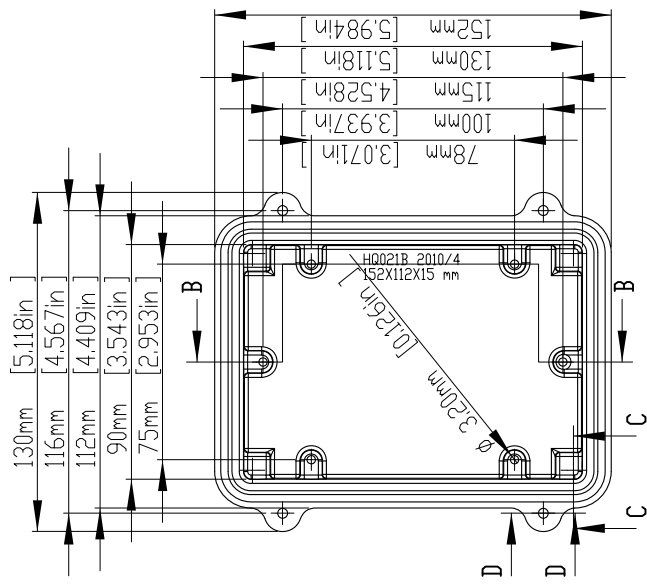
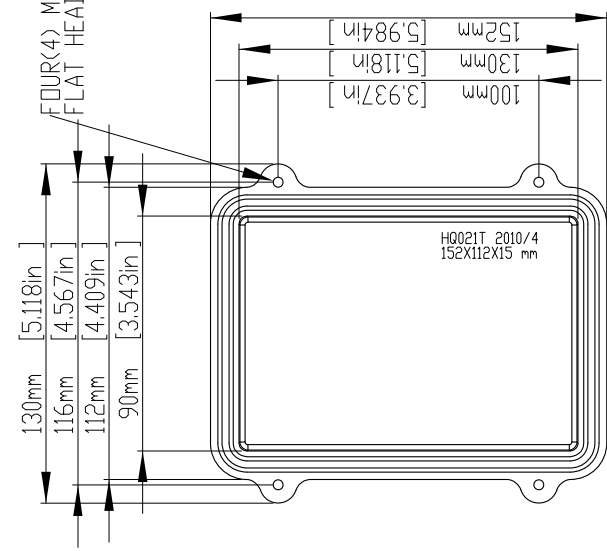


FOUR(4) M4X20 mm
FLAT HEAD SCREWS



SECTION E
SCALE 2:1

TOLERANCES: +/- 0.30 mm (+/- 0.012in)

宣又實業有限公司
GAINTA INDUSTRIES LTD.

繪圖
DRAVD BY
JACKY

日期
DATE
2010/1/20

材質
MATE.
ALUMINIUM ALLOY ADC-12

圖名
TITLE:
HQ021

圖號
DWG NO:

版次
REVISID:
A

ITEM NO	DESCRIPTION
HQ021	NATURAL ALUMINIUM BOX<WITHOUT THE GASKET>
HQ021S	@@ IP67 RATING @@<WITH THE SILICON GASKET>
HQ021EMS	@@ IP67 RATING @@<WITH THE SILICON & SHIELDED GASKET>

MATERIAL: ALUMINIUM ALLOY #ADC-12

FINISH: NATURAL (NO SUFFIX)
GRAY (SUFFIX -LG)
BLACK (SUFFIX -BK)

- 1) FOUR(4) M4 x 20mm (0.787") LG. SCREWS SUPPLIED FOR ASSEMBLY OF COVER TO BODY
2) ALL HOLE DIAMETERS HAVE $\pm 0.10\text{mm}$ TOLERANCE
ALL OTHER DIMENSIONS HAVE $\pm 0.30\text{ mm}$ TOLERANCE

宣又實業有限公司
GAINTA INDUSTRIES LTD.

繪圖

DRAWN BY

JACKY

日期

2010/1/20

材質

ALUMINIUM ALLOY ADC-12

MATE.

圖名/TITLE:

HQ021

圖號/DWG NO:

版本/REVISID:

A