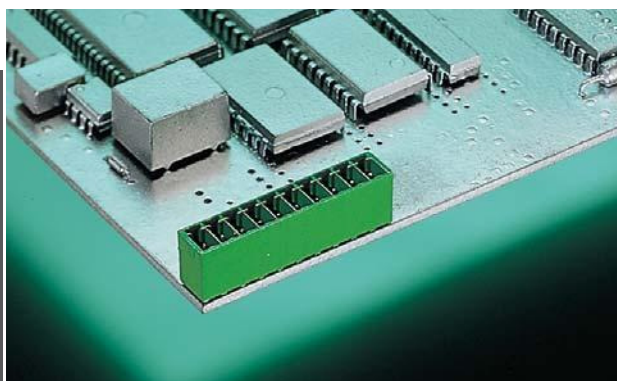




**PTR**

A Phoenix Mecano Company

**STL(Z) 1550 VERTICAL**



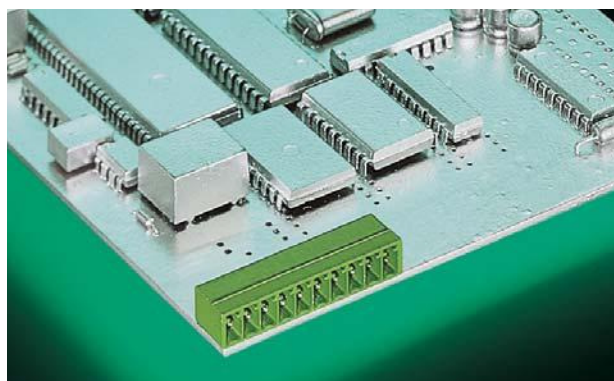
**STL(Z) 1550/.. G - 3.5 (3.81) - V - GREEN**

**2-20 poles, Spacing 3,5 mm or 3,81 mm**

**insert required no. of poles ..**

How to order see page 11

**STL(Z) 1550 HORIZONTAL**



**STL(Z) 1550/.. G - 3.5 (3.81) - H - GREEN**

**2-20 poles, Spacing 3,5 mm or 3,81 mm**

**insert required no. of poles ..**

How to order see page 11

**Ratings:**



Rated Voltage	300 V	160 V
Rated Current	8 A	9 A (T60)
Overvoltage Category		III
Rating Impulse Voltage/Dirt Level		2,5 kV/3

**Ratings:**



Rated Voltage	300 V	160 V
Rated Current	8 A	9 A (T60)
Overvoltage Category		III
Rating Impulse Voltage/Dirt Level		2,5 kV/3

**Dimensions**

Spacing	3,5 mm (3,81 mm)
PCB Hole Diameter	1,2 mm

**Materials**

Insulating Material	PA
Flammability Class	UL94 V-0
Temperature Range	-30°C/+105°C
Contact Pin	Cu

**Colour**

green	RAL 6018
-------	----------

**Dimensions**

Spacing	3,5 mm (3,81 mm)
PCB Hole Diameter	1,2 mm

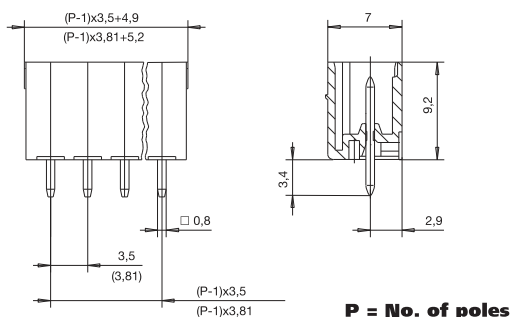
**Materials**

Insulating Material	PA
Flammability Class	UL94 V-0
Temperature Range	-30°C/+105°C
Contact Pin	Cu

**Colour**

green	RAL 6018
-------	----------

**STL(Z) 1550 VERTICAL**



**STL(Z) 1550 HORIZONTAL**

