

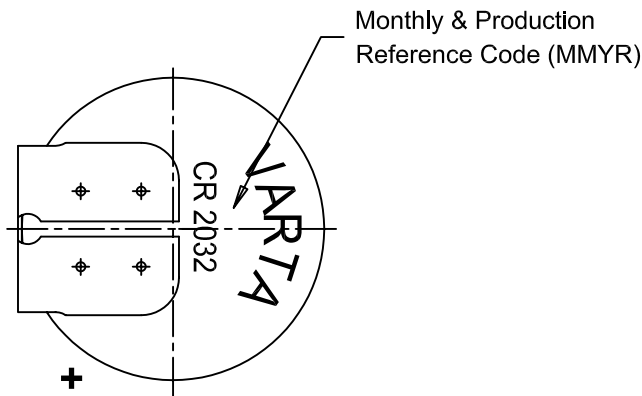
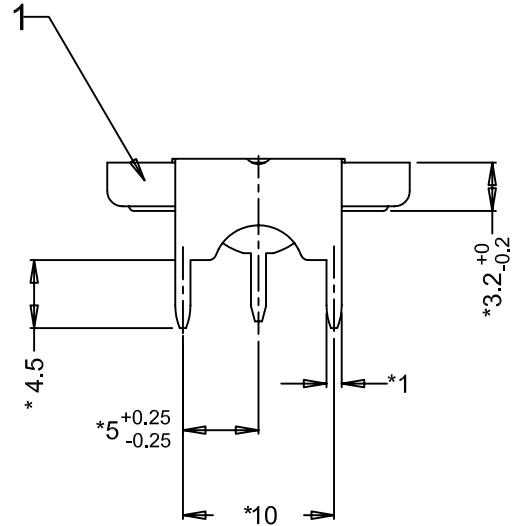
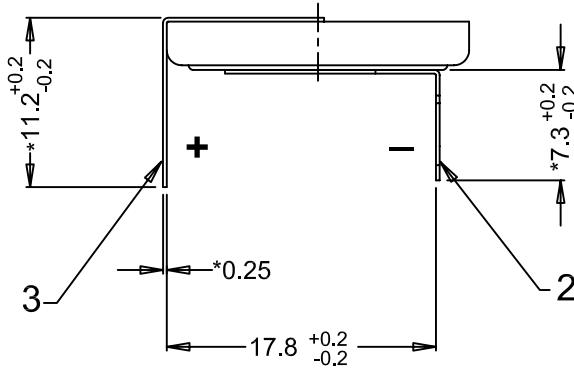
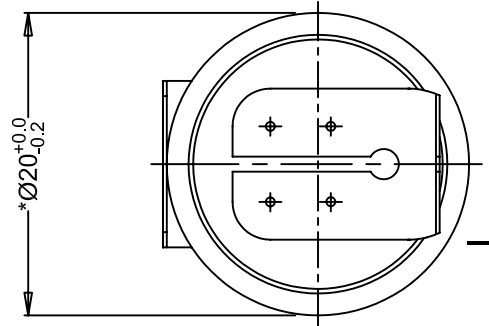
VARTA Microbattery

mobility for you

This is a controlled document.

Hardcopy to be endorsed by authorized person.

Check with Issuing Office or SAP system for latest update.



Note : *Dimensions for reference only

No	AO No	Revisions	Date	Name
4	C097/06	Change tags	2006-09-18	Ratna
3	R113/04	Change date code to MMYR was MMY to identification the laser machine	2004-12-22	Ratna
2	T18/01	To add the date code area for Lithium coin	2001-03-08	Yeni
1	T141/00	To change weld spot to 6 was 4	2000-11-11	Ratna

Projection:		Material: Refer to part list no: 006334		Description: 3V CR 2032 PCB with solder tags	
Dimensions in mm		Prepared & Checked 2000-07-01 Titis WS		Verified & Approved	
Tolerance: As specified		Scale: 2 : 1		Dwg. No: 006334	
				VKB Order No: 06032 401 501	

Rights reserved to make technical changes, as a result of further development, without notice. This drawing is the property of VARTA Microbattery and must not be copied or disclosed to a third party without the written consent of VARTA Microbattery.

