



乐清市裕林电子有限公司

Yueqing Yulin Electronic Co., Ltd

Add:F/6 No.19 KeAiSi Road XiangYang Industrial Zone,Liushi Town,YueQing,Zhejiang China 325600

Tel: 0577-27878383

Fax: 0577-27878383

Website: www.filn.com

SPECIFICATION FOR APPROVAL

规格说明书

CUSTOMER'S CODE

本厂代码:

DESCRIPTION

品 名: Emergency Switch

SPECIFICATION

规 格: 22mm

DATE

编制日期:

PART NO.

本厂型号: FLM22-MJ-1

REFERENCE No.

档案编号:

| Form Designer | Qualified By | Approved By |
|---------------|--------------|-------------|
| 编 制 | 审 核 | 批 准 |
| 吴维继 | 陈永强 | 陈 平 |



乐清市裕林电子有限公司

Yueqing Yulin Electronic Co., Ltd

Address: F/6 No.19 KeAiSi Road XiangYang Industrial Zone, Liushi Town, Yueqing, Zhejiang China 325600

Tel: 0577-27878383

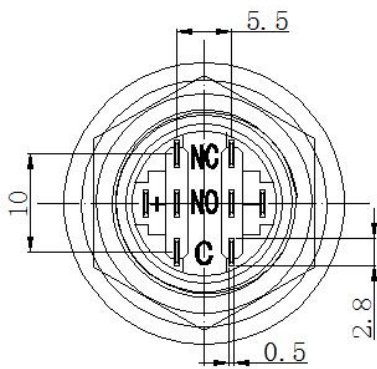
Fax: 0577-27878383

Website: www.filn.com

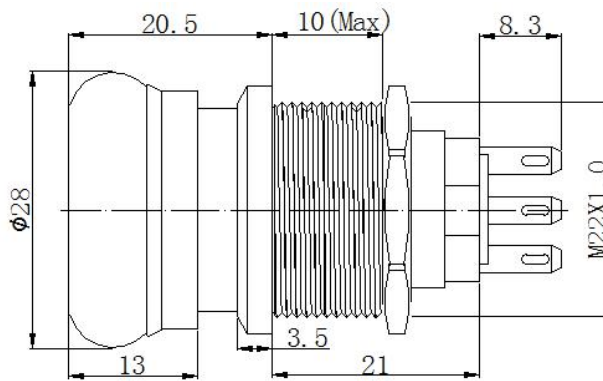
1. 图片 Picture:



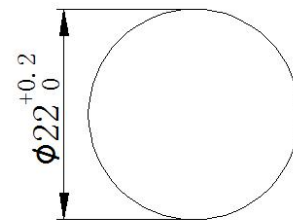
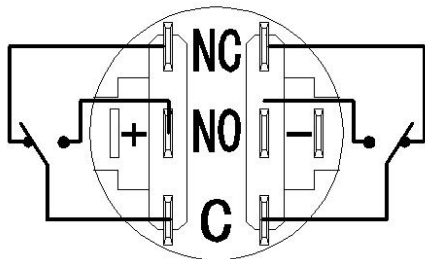
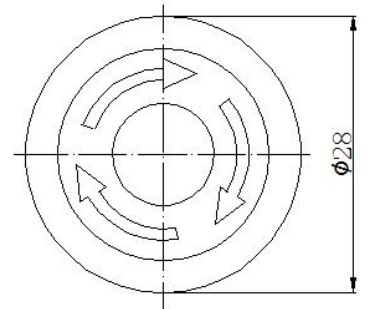
2. 图纸 Drawing



电气简图



安装孔图





乐清市裕林电子有限公司

Yueqing Yulin Electronic Co., Ltd

Add:F/6 No.19 KeAiSi Road XiangYang Industrial Zone,Liushi Town,YueQing,Zhejiang China 325600

Tel: 0577-27878383

Fax: 0577-27878383

Website: www.filn.com

3 配件材料 Component Material

| 配件名 Component name | 材料 Material |
|--------------------------|---|
| 导光按键 Lighting Source | / |
| 按键 Actuator | 6063 铝合金 6063 Aluminum Alloy |
| 外壳套筒 Housing | H59 黄铜/304 不锈钢 H59 nickel plated brass/304Stainless steel |
| 按钮引脚 Connect Terminal | B62 铜合金 B62 Brass |
| 防水圈 O-Ring | SIL 硅胶 SIL silica gel |
| 螺帽 Nut | H59 黄铜 H59 Brass |
| 底座 Base | PA66+GF20%阻燃尼龙 PA66+GF20% nylon |
| 光源 Light source | LED 灯珠 LED |
| 电阻 Resistor | 金属膜电阻 Metal film |

4 性能参数 Performance Parameter

| 项目 Items | 参数 Parameter |
|--|--|
| 开关额定电压 Switch Rated Voltage | 36V DC 250V AC |
| 开关额定电流 Switch Rated Current | 5A DC 5A AC |
| 指示灯额定电压 Led Voltage | 3V-220V |
| 指示灯额定电流 Led Rated Current | / |
| 额定功率 Rated Power | 180W(DC) 1250W(AC) |
| 绝缘耐压 Insulation and voltage resistance | 1800V |
| 接触电阻: Contact Resistance | ≤50mΩ |
| 绝缘电阻: Isolation Resistance | ≥100MΩ |
| 机械寿命 Mechanical Life | 50 万次 500,000times |
| 电气寿命 Electrical Life | 10 万次 (250V/3A) 100,000times(250V/3A) 5 万次 (250V/5A) 50,000times(250V/3A) |
| 工作环境温度 Operating Temperature | -25℃~+85℃ |
| 防护等级(头部) IP Degree | IP65 IK08 |
| 指示灯颜色 Led Color | / |