

● Features

- Small size but large capacity
- Low ESR
- PB Free and RoHS Complaint

● Application

- Solar voltaic application

(e.g. Traffic sign “LED type”. Road guidance flasher)

- Motor Drive through quick discharge

(e.g. toy car & plane)

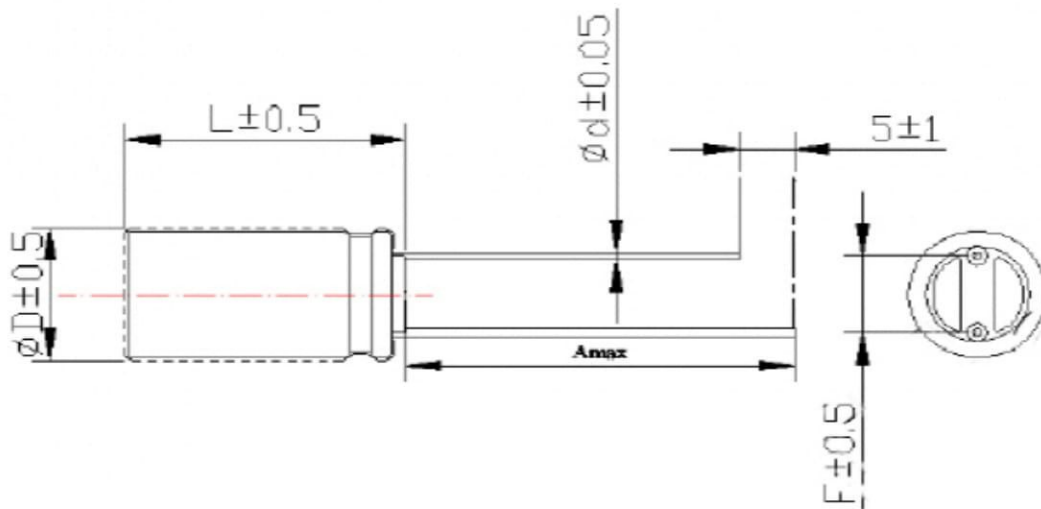
- Emergency power supply for car DVR or black box



● Specifications

Items	Characteristics	
Rated working voltage	2.5 VDC	2.7 VDC
Operating temperature	-25 to +70 °C	-40 to +70 °C
Nominal Cap. Range	1 to 70 F	
Capacitance tolerance	-20% to +40%(at 25 °C)	
Endurance	Capacitance change:±30% of initial measured value Internal resistance:≤400% of specified value (After 1,000 hours application of rated DC working voltage at +60/+70 °C,the capacitor shall meet the following limits)	
Shelf life	After 1,000 hours storage at +60/+70°C without load, the capacitor shall meet the specified limit for "Endurance"	

● Shape of Standard Product



● Standard Products and Dimensions (not to scale)

Part number	Operating voltage	Capacitance(F)	ESR(,@1kHz)	φ DxL(mm)	F(mm)
OHP2R7105	2.7	1.0	≤0.016	φ6×13	2.5
OHP2R7106		10.0	≤0.025	φ10×25	5.5
OHP2R7106		10.0	≤0.025	φ12.5×25	5.5
OHP2R7206		20.0	≤0.018	φ16×35	8.0
ODR2R5335	2.5	3.3	≤0.070	φ12.5x23	5.5
ODR2R5505		5.0	≤0.120	φ8x25	4.0
ODR2R5705		7.0	≤0.100	φ10x20	5.5
ODR2R5106		10.0	≤0.070	φ10x25	5.5
ODR2R5106		10.0	≤0.070	φ12.5x20	5.5
ODR2R5156		15.0	≤0.050	φ12.5x25	5.5
ODR2R5256		25.0	≤0.030	φ16x25	8.0
ODR2R5356		35.0	≤0.025	φ16x35	8.0

ODR2R5 706		70.0	≤0.020	Φ18x40	8.0
ODR2R5 105		1.0	≤0.030	Φ8x13	4.0
ODR2R5 305		3.0	≤0.150	Φ8x20	4.0
ODR2R5 335		3.3	≤0.150	Φ8x20	4.0
ODR2R7 354	2.7	0.35	≤0.95	Φ5×12	2.0
ODR2R7 105		1.0	≤0.200	Φ8×13	4.0
ODR2R7 205		2.0	≤0.035	Φ8×20	4.0
ODR2R7 335		3.3	≤0.075	Φ8×20	4.0
ODR2R7 505		5.0	≤0.060	Φ8×25	4.0
ODR2R7 505		5.0	≤0.060	Φ10×20	5.0
ODR2R7 705		7.0	≤0.050	Φ12.5×21	5.0
ODR2R7 106		10.0	≤0.035	Φ10×25	5.0
ODR2R7 106		10.0	≤0.035	Φ12.5×25	5.0
ODR2R7 156		15.0	≤0.070	Φ12.5×25	5.0
ODR2R7 256		25.0	≤0.050	Φ16.0×25	6.5
ODR2R7 306		30.0	≤0.015	Φ16.2×33	6.5
ODR2R7 506		50.0	≤0.017	Φ18×42	7.0

Note:

1. It is not allowed to go through reflow (IR, Atmosphere hating methods etc.) process;
2. Don't allow long time more than the rated voltage charging or work, or will be greatly reduced sharply the service life of the product!