

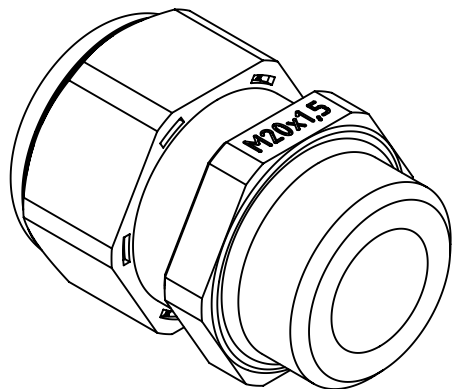
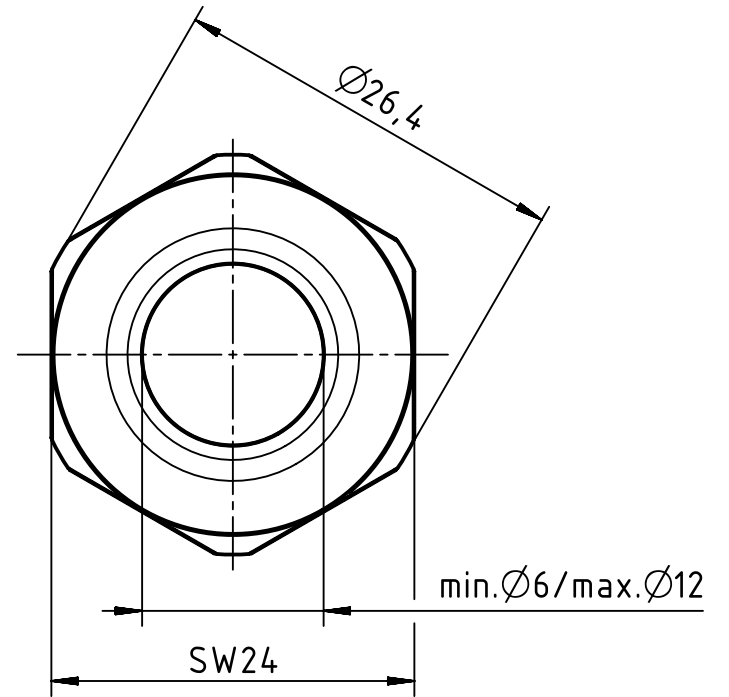
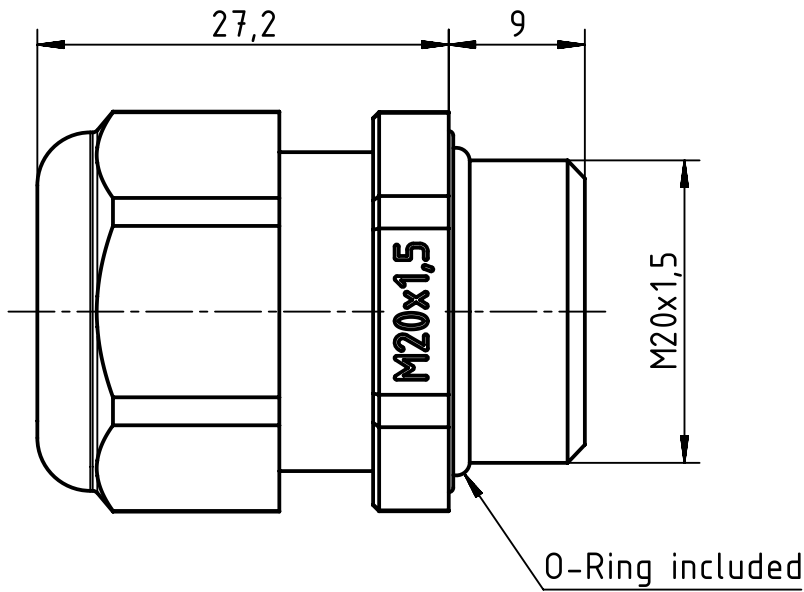
1 2 3 4 5 6


A

B

C

D



	All rights reserved Department EL PD - DE	All Dimensions in mm Original Size DIN A4		Scale 2:1	Free size tol.	Ref.	
		Created by LONGL	Inspected by DINGB	Standardisation TIEMANNA	Date 2016-03-04	State Final Release	
HARTING Electric GmbH & Co. KG D-32339 Espelkamp		Title Han CGM-P M20x1,5 D.6-12mm black				Doc-Key / ECM-Nr. 100644447/UGD/001/B 500000100783	
		Type TB	Number 19 00 000 5183			Rev. B	Page 1/1