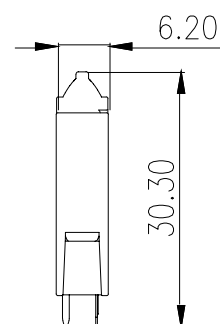
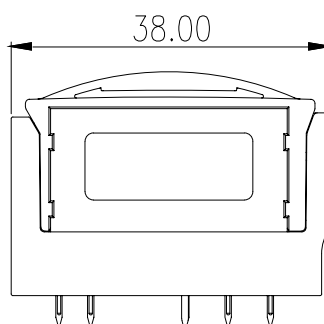
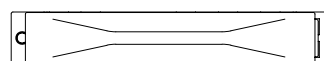
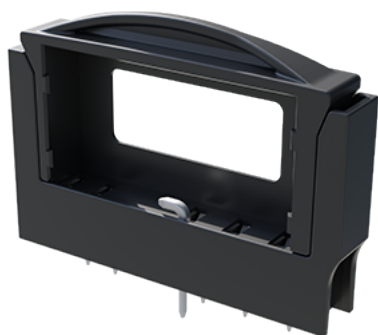


# RYPSM-05F

Relay Socket



## Specification

Rated voltage (V)	230
Rated current (A)	6
W/H/T	38 x 6.2 x 30.3 mm