

REV.	DESCRIPTION	DRAWN	CHECKED	APPROVED
A	NEW RELEASE	LJH 09/24/05'	~	LJC 09/24/05'
B	ADD 50pin drawing	LJC 02/10/07'	~	LJC 06/16/07'
C	ADD BR TYPE	YCH 07/10/07'	~	

NOTES:

- ELECTRICAL CHARACTERISTICS:
 - CONTACT RESISTANCE: 20mΩ Max. INITIAL.
 - DIELECTRIC WITHSTANDING VOLTAGE: 500V AC(rms) FOR 1 MINUTE.
 - INSULATION RESISTANCE: 1000MΩ Min.
- ENVIRONMENT CHARACTERISTICS:

TEMPERATURE RANGE: -45°C~+105°C.
- PART NUMBER: DS1033
- PRODUCT NUMBER CODE: DS1033- X X X X X X X

SCREW DIM. A
 S: Standard(W/O nut)
 1: 5.00
 2: 3.00
 3: 5.20
 4: 4.80
 5: 5.80
 6: 4.00

SCREW TYPE
 S: Standard(W/O nut)
 1: CC TYPE
 2: CS TYPE

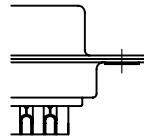
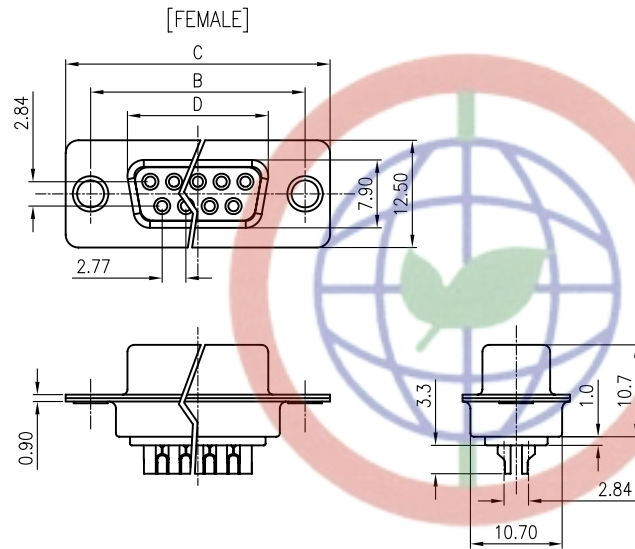
CONTACT PLATING
 8: FULL GOLD FLASH
 Si: SELECTIVE GOLD FLASH
 6: Full Tin

SHELL PLATING
 T: FRONT & BACK SHELL Tin
 N: FRONT SHELL Nickel,
 BACK SHELL Tin

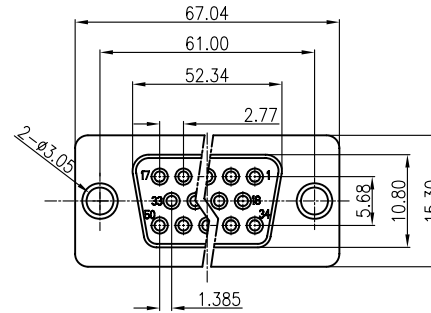
HOUSING COLOR
 B: BLACK
 W: WHITE
 U: BLUE

CONNECTOR TYPE
 M: Male
 F: Female

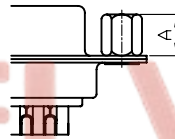
No.OF CONTACTS
 09: 9pos.
 15: 15pos.
 25: 25pos.
 37: 37pos.
 50: 50pos.



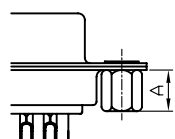
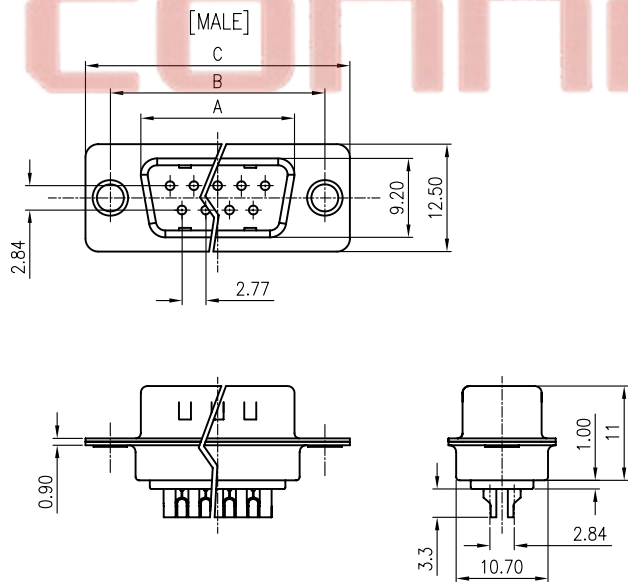
Standard



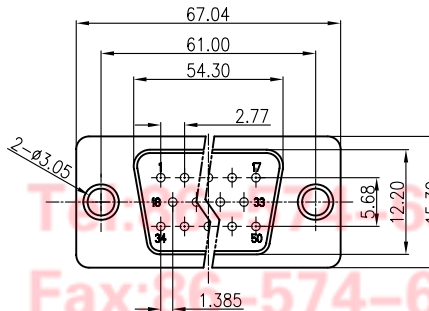
50pin Female Figure



CC TYPE



CS TYPE



50pin Male Figure

Dimension

Position	A±0.2	B±0.2	C±0.3	D
9	17.90	24.99	30.80	16.33
15	26.50	33.32	39.14	24.66
25	40.00	47.04	53.04	38.38
37	56.50	63.50	69.32	54.84

GENERAL TOLERANCE	ANGLE TOLERANCE
X. ±0.60	X. ±5°
.X ±0.38	.X ±3°
.XX ±0.25	.XX ±2°

PROJECTION	TITLE
UNITS mm	D-SUB SOLDER TYPE
SHEET SIZE A4	SERIES DS1033 SERIES

DRAWING TYPE	CUSTOMER
SCALE 1:1	SHEET 1 OF 1
DRAWING NO. C-DS1033-XXXXXXX	



晨翔电子有限公司

CONNFLY CONNFLY ELECTRONIC CO. LTD

Tel: 86-574-63508787
 Fax: 86-574-63510817
 E-mail: sale@zhenqin.com.cn
 Http://www.connfly.com