

Standard recovery diode (Stud version)



Features:

- High surge current capability
- Stud cathode and stud anode version
- Wide current range
- Metric device version available

Typical applications

- Battery charges
- Converters
- Power supplies
- Machine tool controls
- Welder
- Motor controls

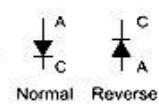
Ordering information table

FR 70 HF R 120 M L

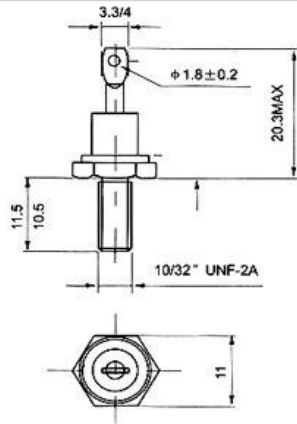
1 2 3 4 5 6 7

1. None=Standard recovery diodes; FR=Fast recovery diodes;
2. Current code=IF(AV)
3. Outline code:F=DO-4 case 6A□25A; HF=DO-5 case 30A□85A; U=DO-8,DO-9 case 100A□300A;
4. None=Stud normal polarity(cathode to stud); R=Stud reverse polarity(anode to stud);
5. Voltage code=code×10=VRRM
6. None=Standard inch device; M=Metric device;
7. Bigger size

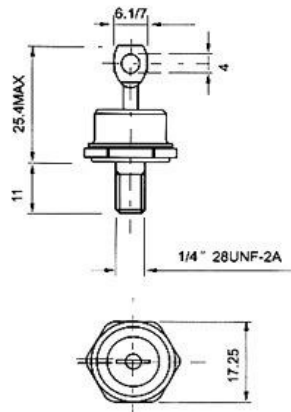
Polarity



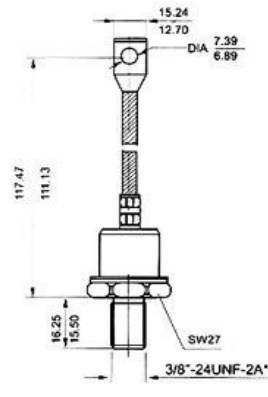
Type	$I_{F(AV)}$	V_{FM}/I_{FM}		I_{FRMS}	V_{RRM}	I_{RRM}	$R_{j\theta}$	T_j	M^2	W_t	Outline
	THS55°C	25°C									
	A	V	A	A	V	mA	°C/W	°C	N/m	kg	
6F(R)	6	1.1	18	9.0	200-1200	≤6	≤2.0	-40°C SE 150°C	≤1.0	0.008	DO-4
12F(R)	12	1.25	36	190	200-1200	≤6	≤1.2		≤1.0	0.008	
16F(R)	16	1.25	48	25.0	200-1200	≤12	≤1.2		≤1.0	0.008	
25F(R)	25	1.1	75	40.0	200-1200	≤12	≤1.2		≤1.0	0.008	
30HF(R)	30	1.3	90	48.0	200-1200	≤10	≤0.8		≤2.0	0.020	DO-5
40HF(R)	40	1.3	120	64.0	200-1200	≤10	≤0.8		≤2.0	0.020	
50HF(R)	50	1.4	150	80.0	200-1200	≤10	≤0.8		≤2.0	0.020	
60HF(R)	60	1.4	180	96.0	200-1200	≤12	≤0.6		≤2.0	0.020	
70HF(R)	70	1.45	210	112.0	200-1600	≤12	≤0.5		≤2.0	0.020	DO-8
85HF(R)	85	1.45	255	136.0	200-1600	≤12	≤0.4		≤2.0	0.020	
100U(R)L	100	1.8	300	160.0	200-1600	≤15	≤0.3	≤12	0.120	DO-30	
150U(R)L	150	1.5	450	240.0	200-1600	≤15	≤0.3	≤12	0.120		
100U(R)	100	1.8	300	160.0	200-1600	≤15	≤0.3	≤12	0.140	DO-9	
150U(R)	150	1.5	450	240.0	200-1600	≤15	≤0.3	≤12	0.140		
200U(R)	200	1.3	600	320.0	200-1800	≤20	≤0.2	≤12	0.250	DO-8	
250U(R)	250	1.35	750	400.0	200-1800	≤20	≤0.15	≤25	0.250		
300U(R)	300	1.35	900	480.0	200-1800	≤20	≤0.15	≤25	0.250	DO-8	
SD400N(R)	400	1.6	1200	640.0	200-2400	≤40	≤0.07	≤25	0.580		
SD500N(R)	500	1.6	1500	800.0	200-2400	≤40	≤0.065	≤25	0.580		
SD600N(R)	600	1.5	1800	960.0	200-2400	≤40	≤0.065	≤30	0.580		



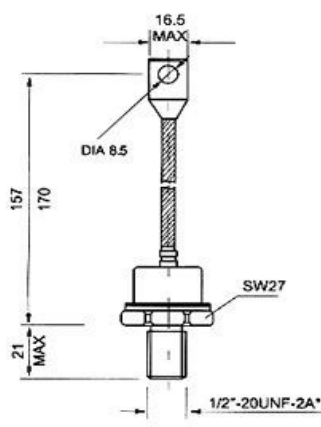
For metric devices: M5×0.8
DO-4



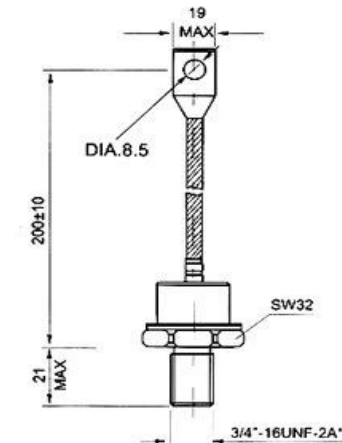
For metric devices: M6×1
DO-5



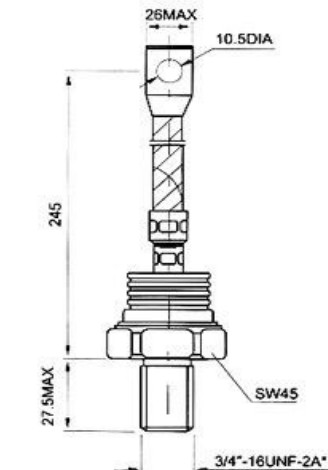
For metric device: M12X1.75
DO-8



*FOR METRIC DEVICE: M12×1.75
DO-30



*FOR METRIC DEVICE: M16×1.5/M20×1.5
DO-9



*FOR METRIC DEVICE: M20×1.5/M24×1.5
B-8