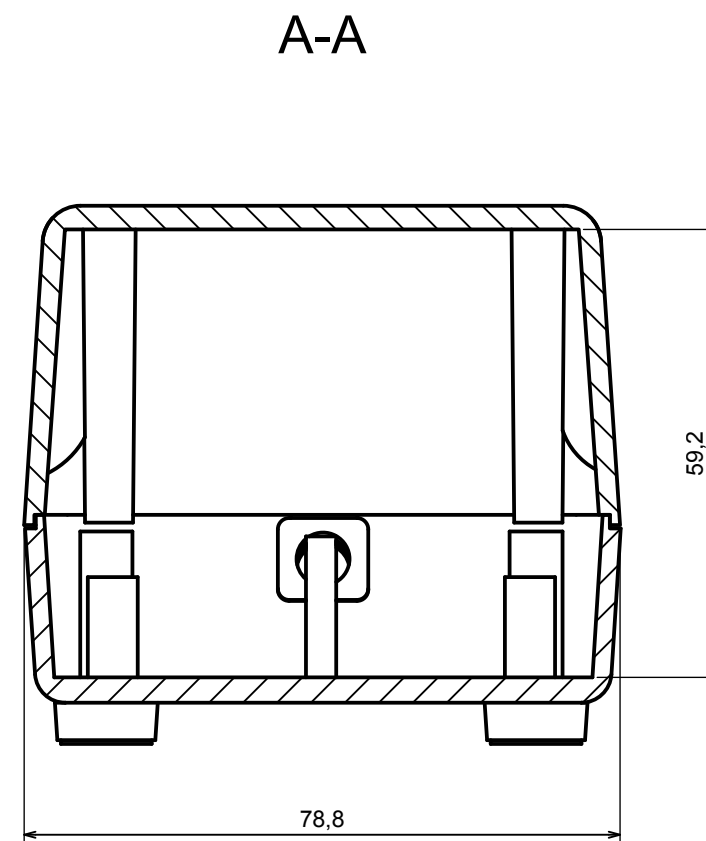


A |



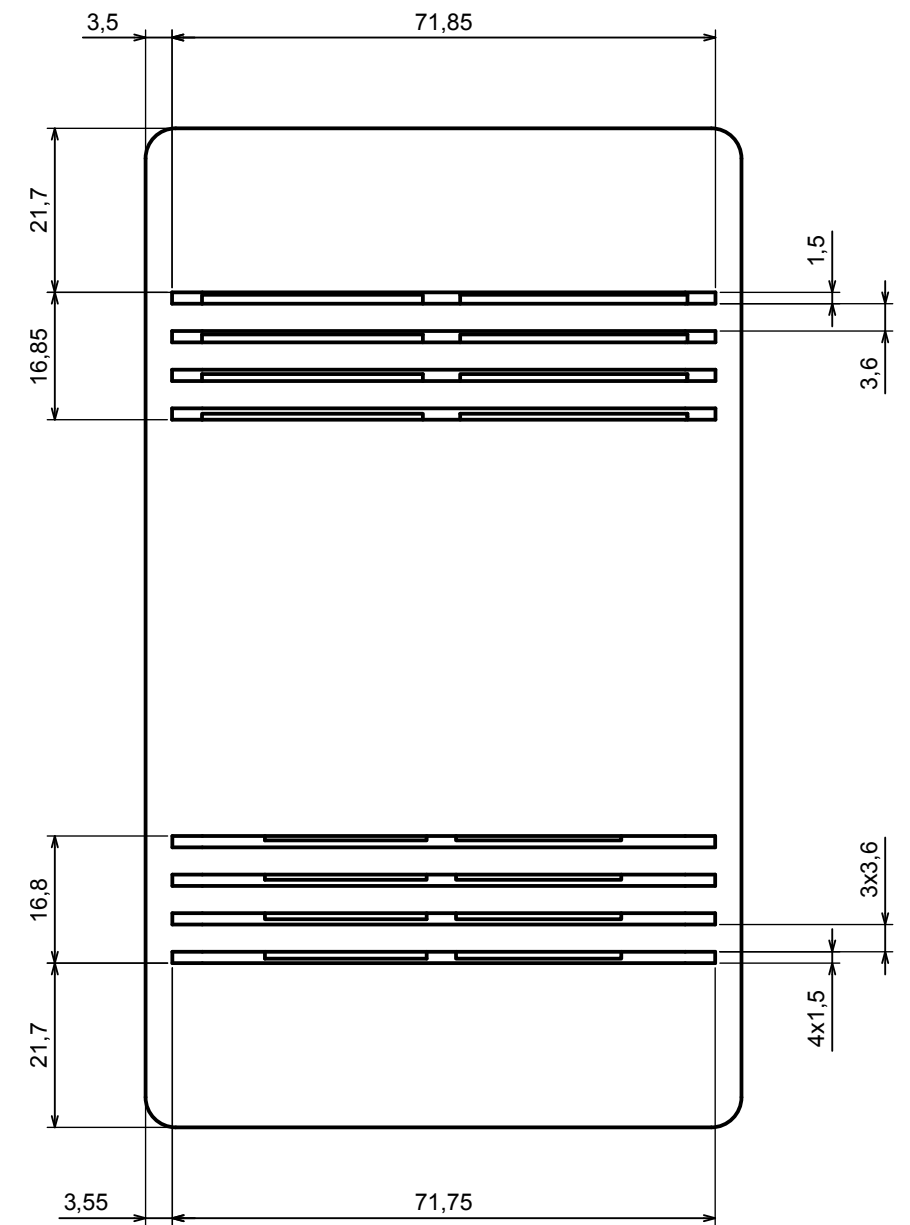
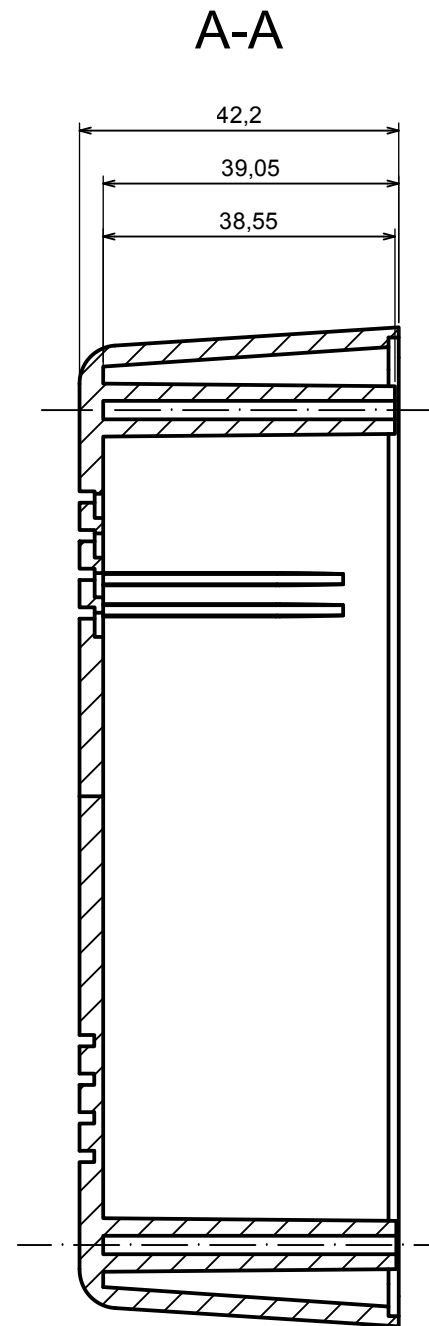
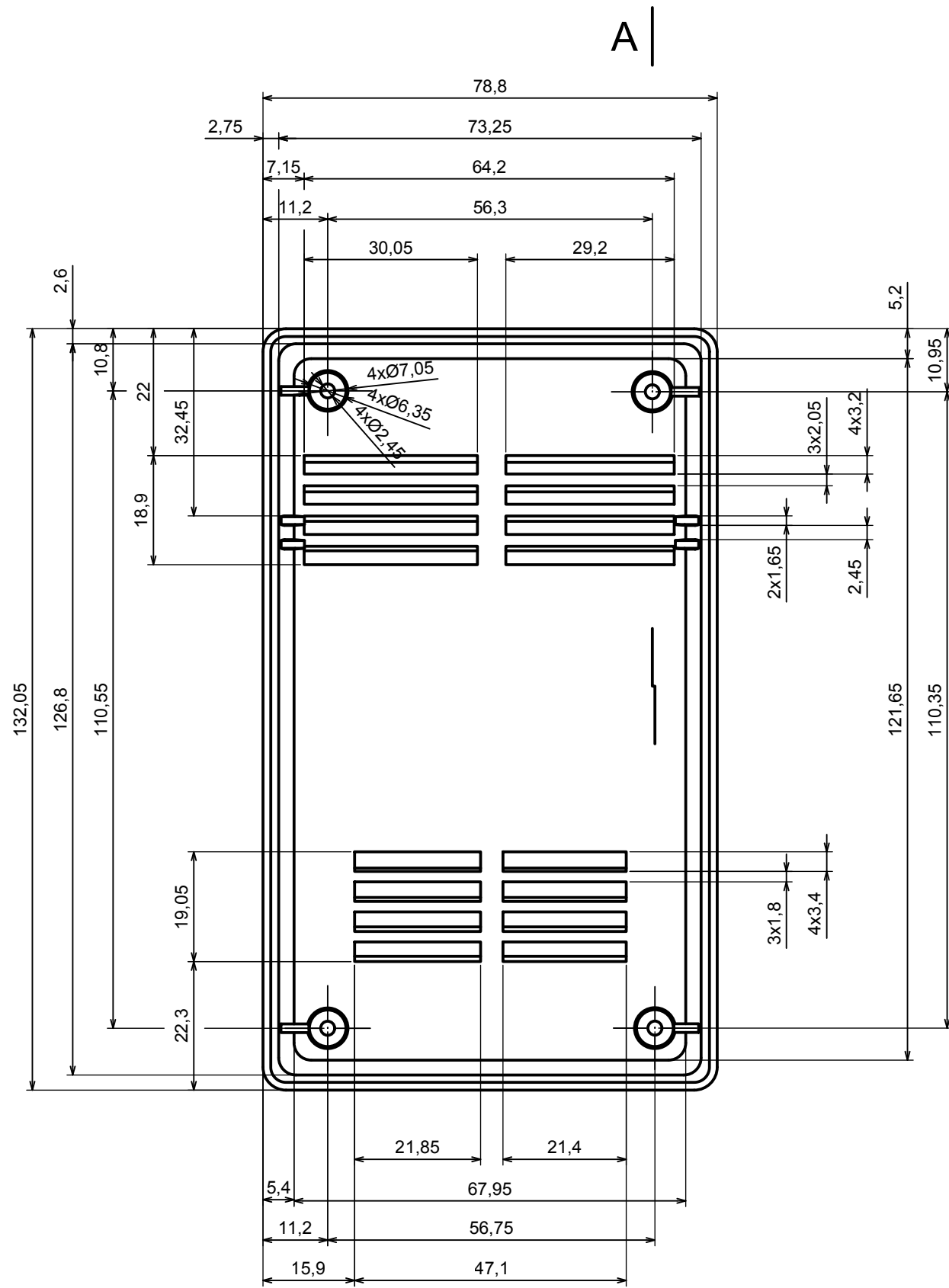
All rights reserved, Copyright Kradex 2017

Product model	Enclosure Z66 - Assembly
---------------	--------------------------

Format: A3	Material: PS, ABS
------------	-------------------

Scale 1:1	Tolerance: +/- 0.8
-----------	--------------------





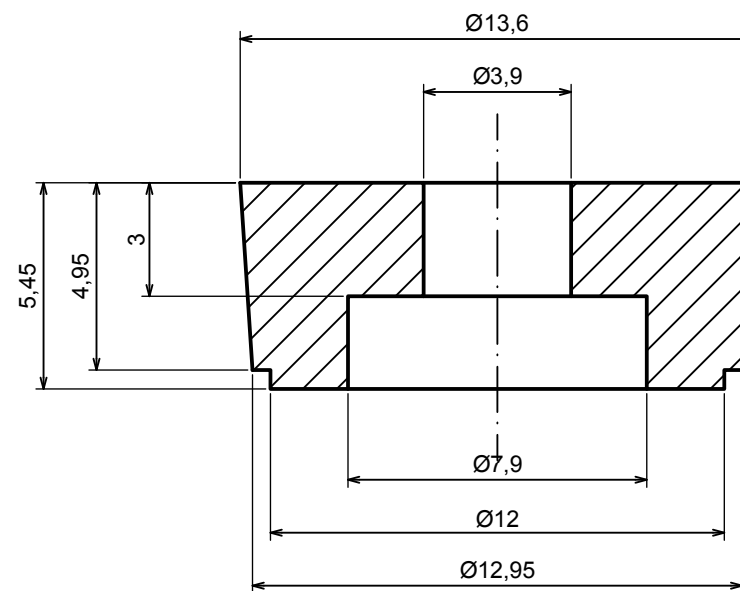
All rights reserved, Copyright Kradox 2017

Product model Enclosure Z66 - Cover

Format: A3 Material: PS, ABS

Scale 1:1 Tolerance: +/- 0.8





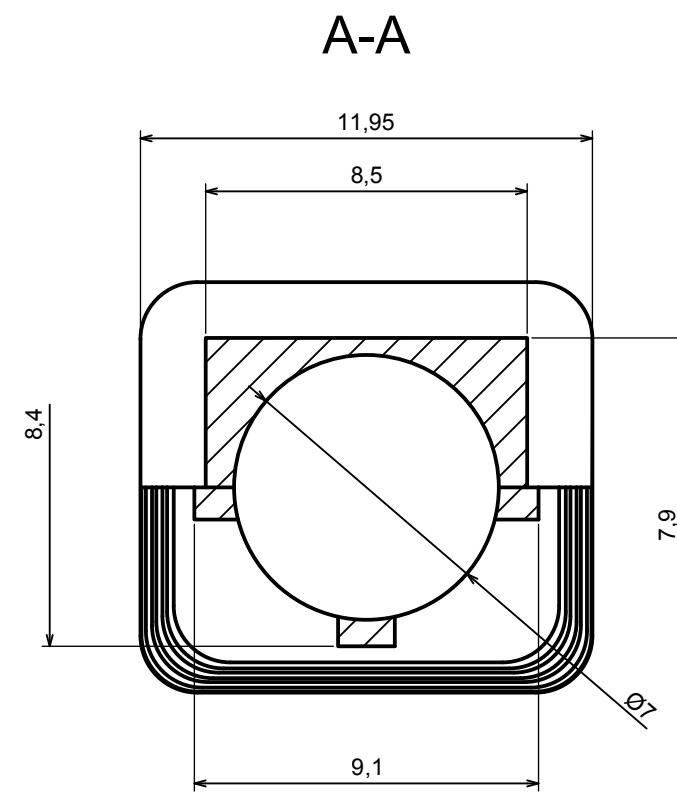
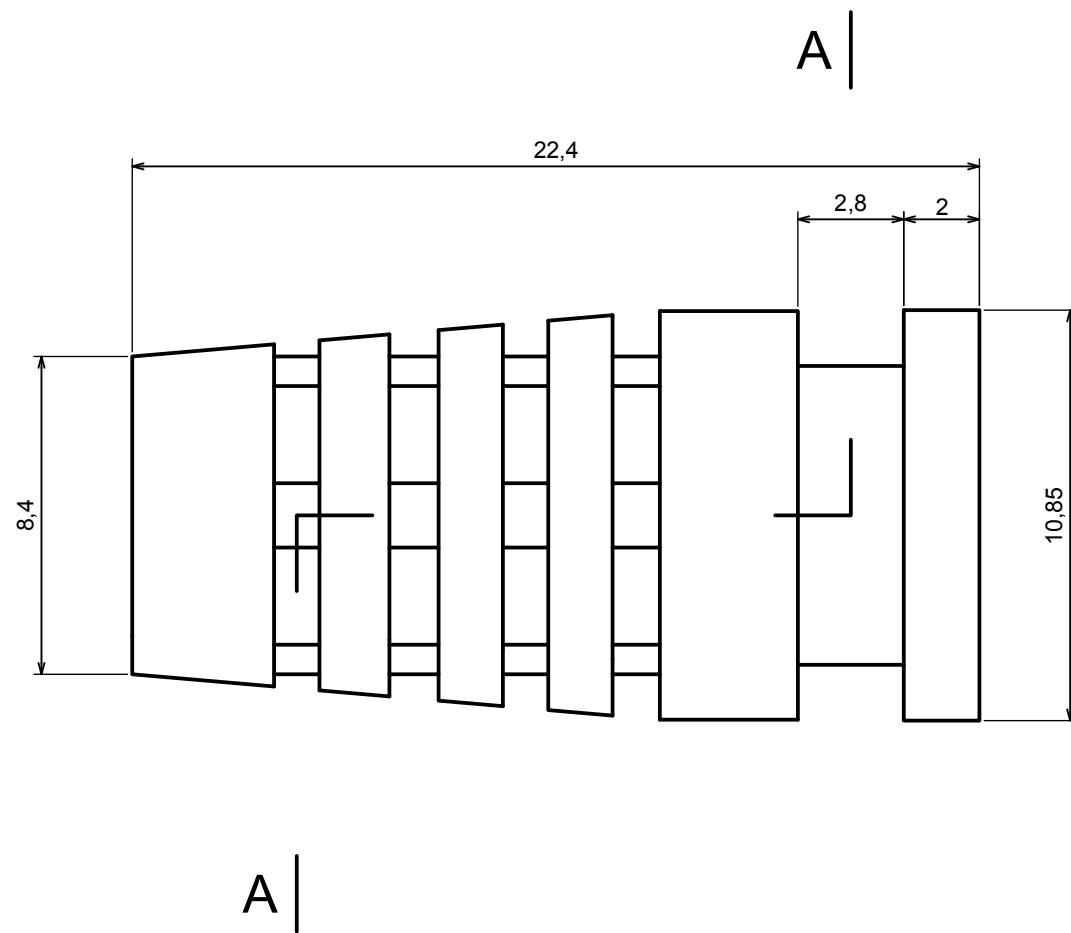
All rights reserved, Copyright Kradex 2017

Product model: Enclosure Z1 - Foot

Format: A3 Material: PS, ABS

Scale 1:1 Tolerance: +/- 0.8





All rights reserved, Copyright Kradex 2017

Product model: Enclosure Z1 - Bend Protector

Format: A3 Material: PS, ABS

Scale 1:1 Tolerance: +/- 0.8

