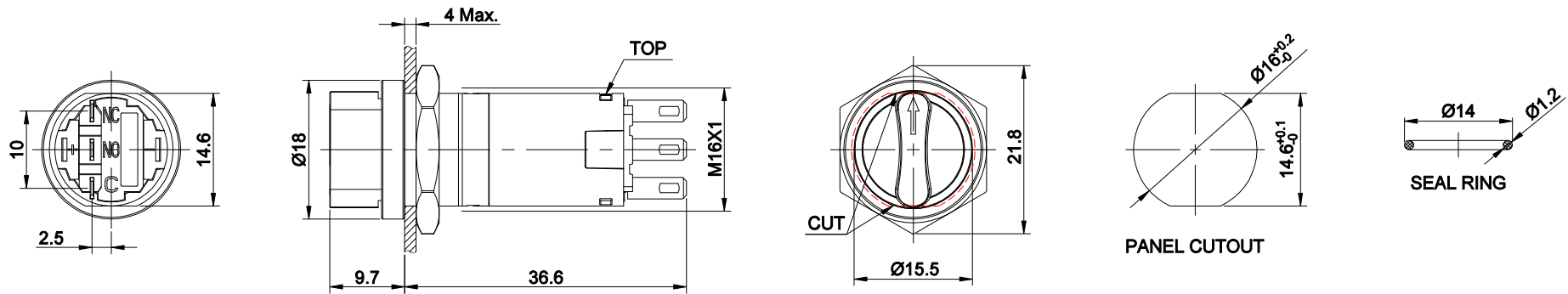


NO. DZ202405Z CUSTOMIZED PRODUCT MODEL: DZ-LAS1-AGQ16-11X/31/S	
CUSTOMIZED	
①	定制1NO1NC三档位旋钮。

FOR 客户名称	APPROVED 客户确认签字	ATTN 销售负责人
PIEKARZ		余佩姿
样品图		



SPECIFICATIONS:

- SWITCH RATING: $U_i: 250V$, $I_{th}: 5A$.
- MECHANICAL LIFE: $\geq 200,000$ cycles.
- ELECTRICAL LIFE: $\geq 50,000$ cycles.
- INITIAL CONTACT RESISTANCE: $\leq 50m\Omega$.
- INSULATION RESISTANCE: $\geq 100M\Omega(500VDC)$.
- DIELECTRIC STRENGTH: $1,500V$, RMS 50HZ, 1min.
- OPERATING TEMPERATURE: $-25^{\circ}C \sim +55^{\circ}C$ (NO FREEZING, KEEP THE AIR FLOWING AROUND PUSHBUTTON).
- TORQUE: ABOUT $0.6Nm$ Max. APPLIED TO NUT.
- FRONT PANEL PROTECTION DEGREE: IP40, IK02.
- TERMINAL TYPE: PIN TERMINAL (2.8X0.5mm).
- OPERATING REQUIREMENT: 45° ROTATION REQUIRES, ROTATION IN PLACE.
- GENERAL TOLERANCE: 0-18mm ± 0.25 , 18-80mm ± 0.52 .

MATERIALS:

- CONTACT: SILVER ALLOY.
- HEAD: STAINLESS STEEL/PC.
- BODY: STAINLESS STEEL.
- BASE: PBT.

BRAND 品牌		红波按钮制造有限公司			
ONPOW 欧宝龙®		ONPOW PUSH BUTTON MANUFACTURE CO.,LTD.			
TITLE 名称	LAS1-AGQ16 SERIES SELECTOR SWITCH			UNIT 单位	mm
FILE NAME 档案名称	DZ202405Z(LAS1-AGQ16-11X PIEKARZ).DWG	SCALE 比例	1.2 : 1	SIZE 图纸	A4
DWG NO. 图号	DZ202405Z	DRAWN 制图	YDY 2024/05/15	SHEET 张	1/1
				REV. 更改	1