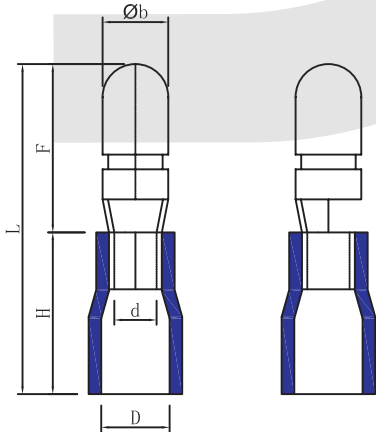


Terminals Series

KLS8-01111 Bullet father pre-insulation terminal Series

Maximum Electrical Rating: 75°C 600 Volts MAX.
Insulation Material: VINYL
Terminal Material: BRASS



VIII

Item No.	Section of lead	Thickness of material mm	Dimension						COLOR
			b	F	D	d	H	L	
			mm	mm	mm	mm	mm	mm	
MPD1.25-156	0.5~1.5mm ² (22~16A. W. G.) I Max=10A	0.4	4.0	11.0	3.5	3.0	10.0	21.0	RED
MPD2-156	1.5~2.5mm ² (16~14A. W. G.) I Max=15A	0.4	4.0	11.0	4.3	3.2	10.0	21.0	BLUE
MPD2-195		0.4	5.0	11.0	4.3	3.0	10.0	21.0	
MPD5.5-195	4~6mm ² (12~10A. W. G.) I Max=24A	0.4	5.0	11.0	5.8	4.7	13.0	25.0	YELLOW

ORDER INFORMATION

KLS8-01111 - MPD1.25-156

Item NO.
Bullet father pre-insulation terminal Series
Part Number