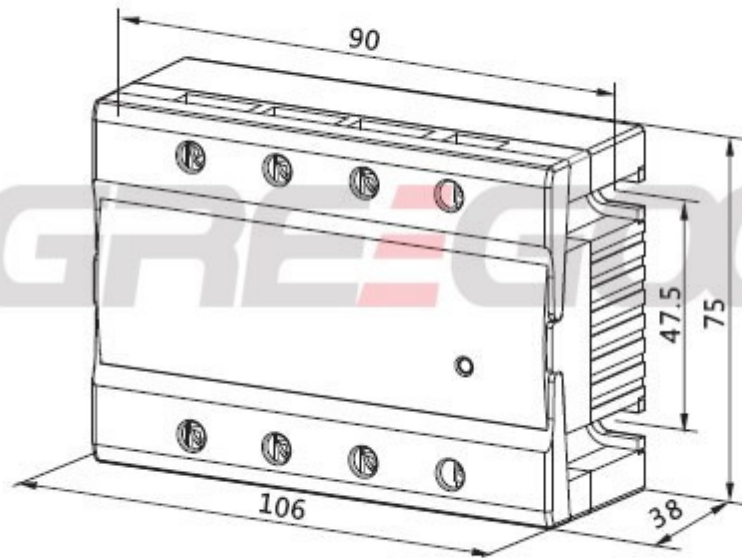


GRE-GOO



Solid state relays

Model	Phase	Type	Load voltage	Load current	Control voltage	Control method
GTP1048ZD3	Three phase	DC to AC	40-480Vac	10A	4-32Vdc	Zero crossing type
GTP1548ZD3	Three phase	DC to AC	40-480Vac	15A	4-32Vdc	Zero crossing type
GTP2548ZD3	Three phase	DC to AC	40-480Vac	25A	4-32Vdc	Zero crossing type
GTP4048ZD3	Three phase	DC to AC	40-480Vac	40A	4-32Vdc	Zero crossing type
GTP6048ZD3	Three phase	DC to AC	40-480Vac	60A	4-32Vdc	Zero crossing type
GTP8048ZD3	Three phase	DC to AC	40-480Vac	80A	4-32Vdc	Zero crossing type
GTP10048ZD3	Three phase	DC to AC	40-480Vac	100A	4-32Vdc	Zero crossing type
GTP1048ZA2	Three phase	AC to AC	40-480Vac	10A	90-250Vac	Zero crossing type
GTP1548ZA2	Three phase	AC to AC	40-480Vac	15A	90-250Vac	Zero crossing type
GTP2548ZA2	Three phase	AC to AC	40-480Vac	25A	90-250Vac	Zero crossing type
GTP4048ZA2	Three phase	AC to AC	40-480Vac	40A	90-250Vac	Zero crossing type
GTP6048ZA2	Three phase	AC to AC	40-480Vac	60A	90-250Vac	Zero crossing type
GTP8048ZA2	Three phase	AC to AC	40-480Vac	80A	90-250Vac	Zero crossing type
GTP10048ZA2	Three phase	AC to AC	40-480Vac	100A	90-250Vac	Zero crossing type