

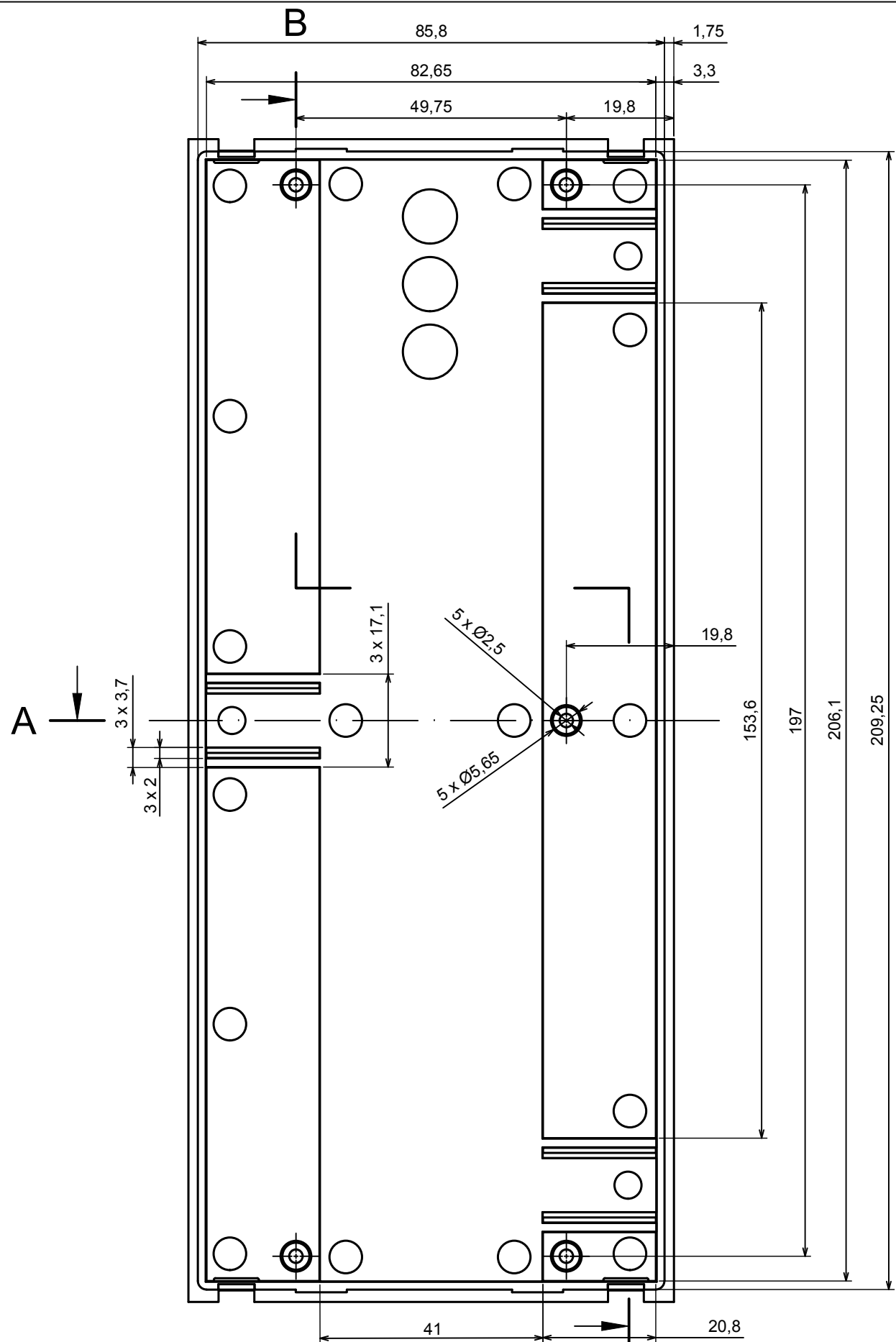
All rights reserved. Copyright Kradex 2020

Product model Enclosure ZD1012 - Assembly

Format: A3 Material: ABS

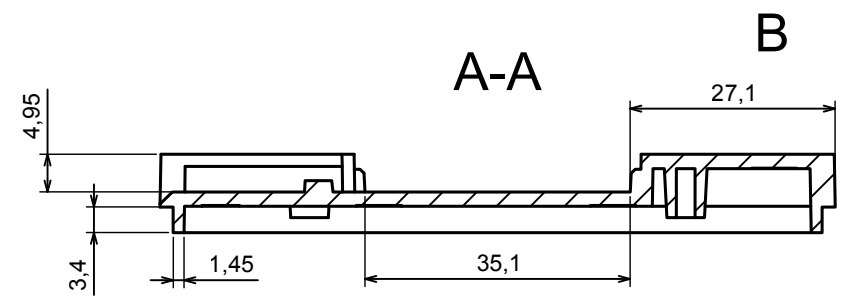
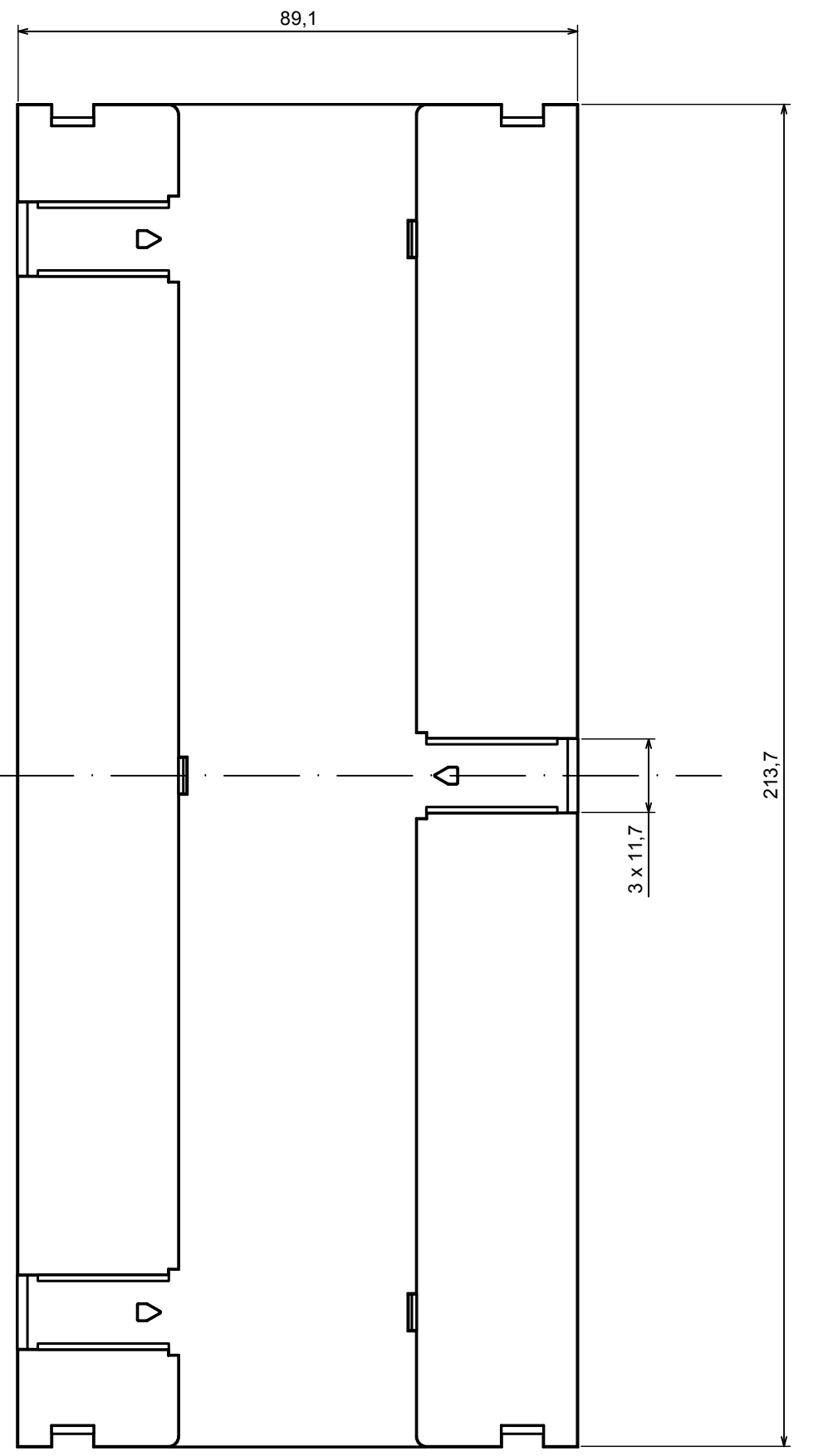
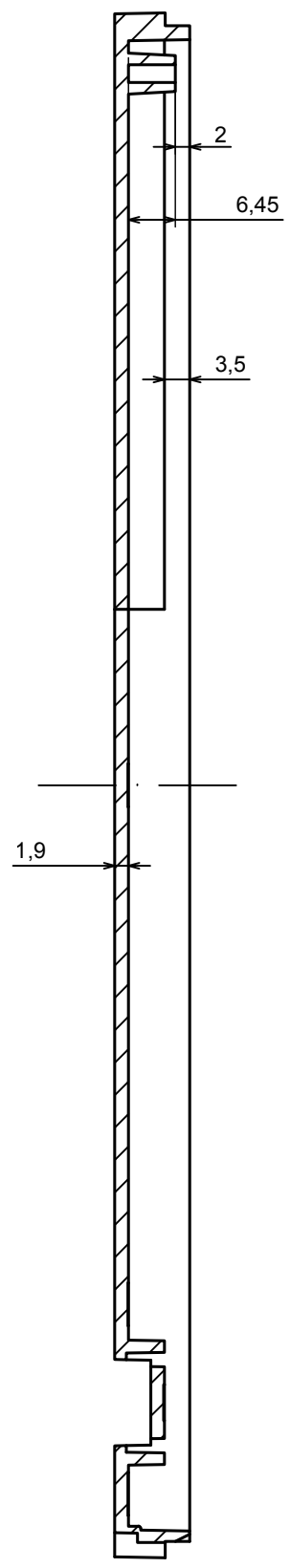
Scale 1:1 Tolerance: +/- 0,5




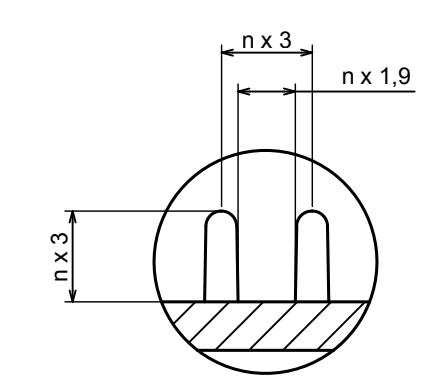
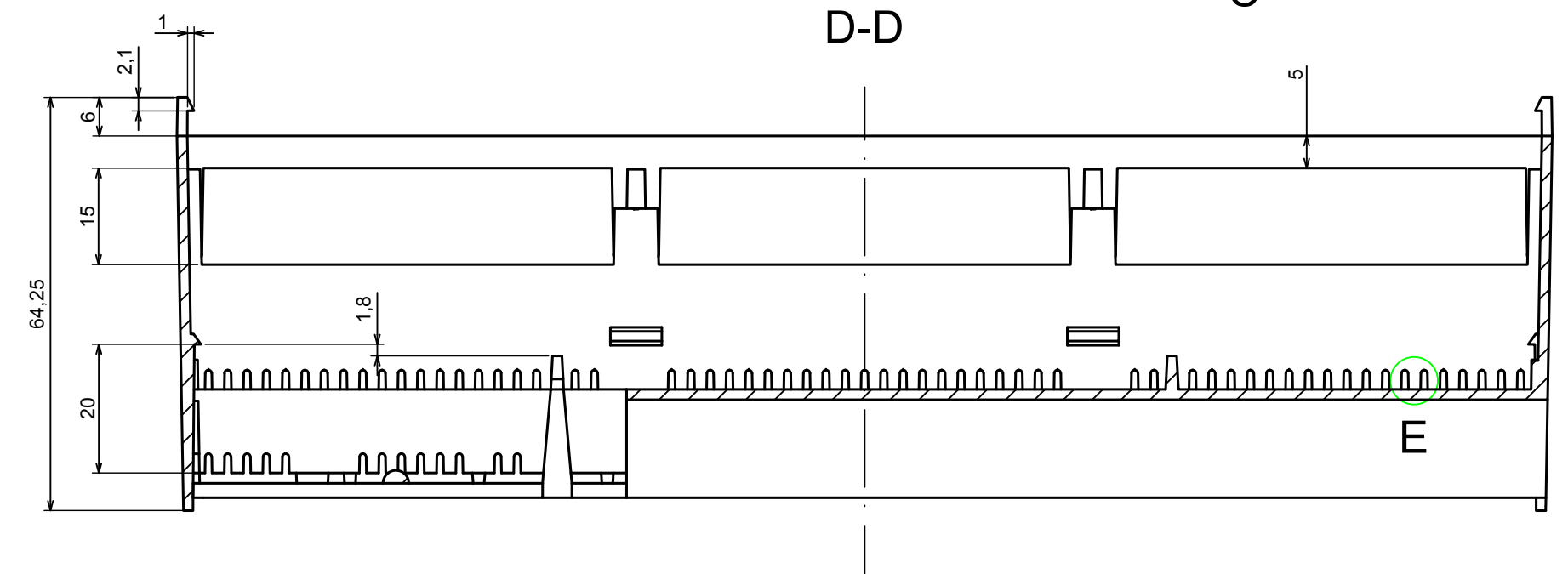
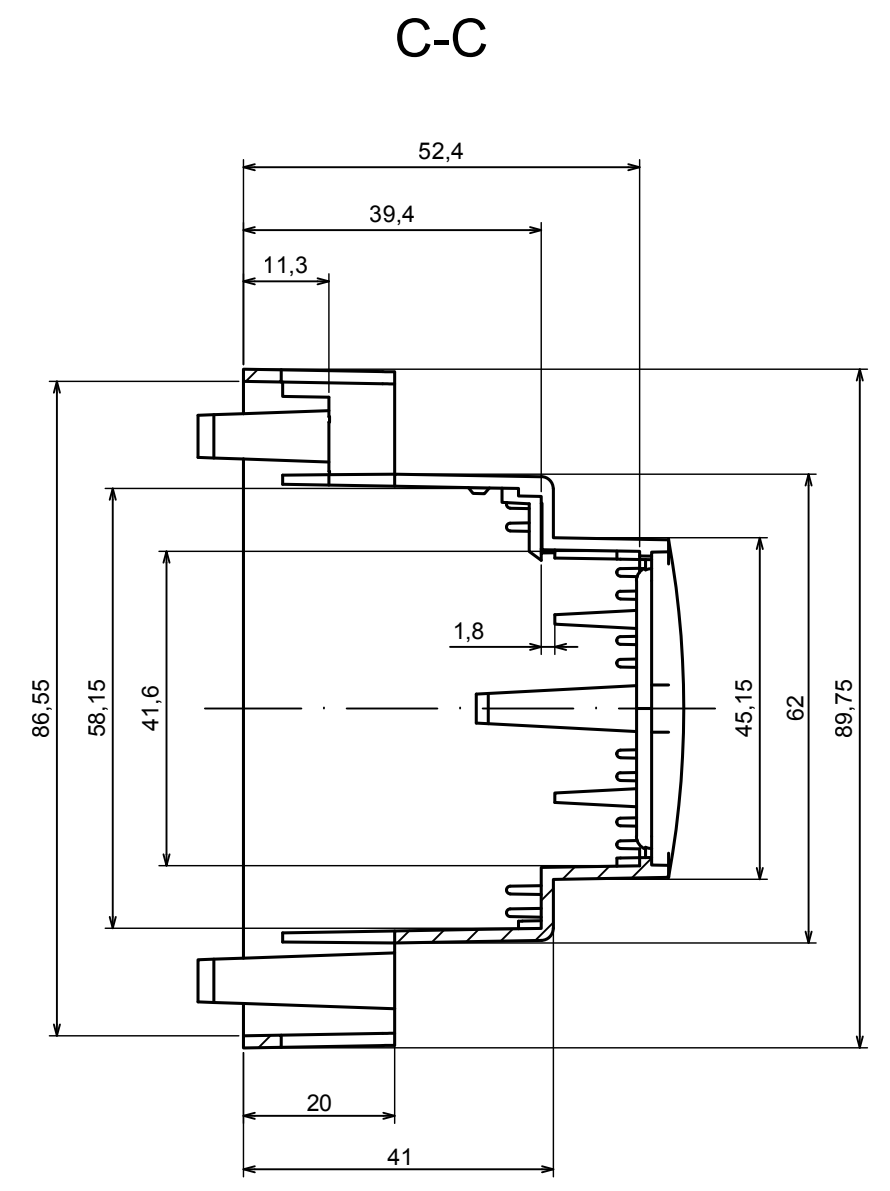
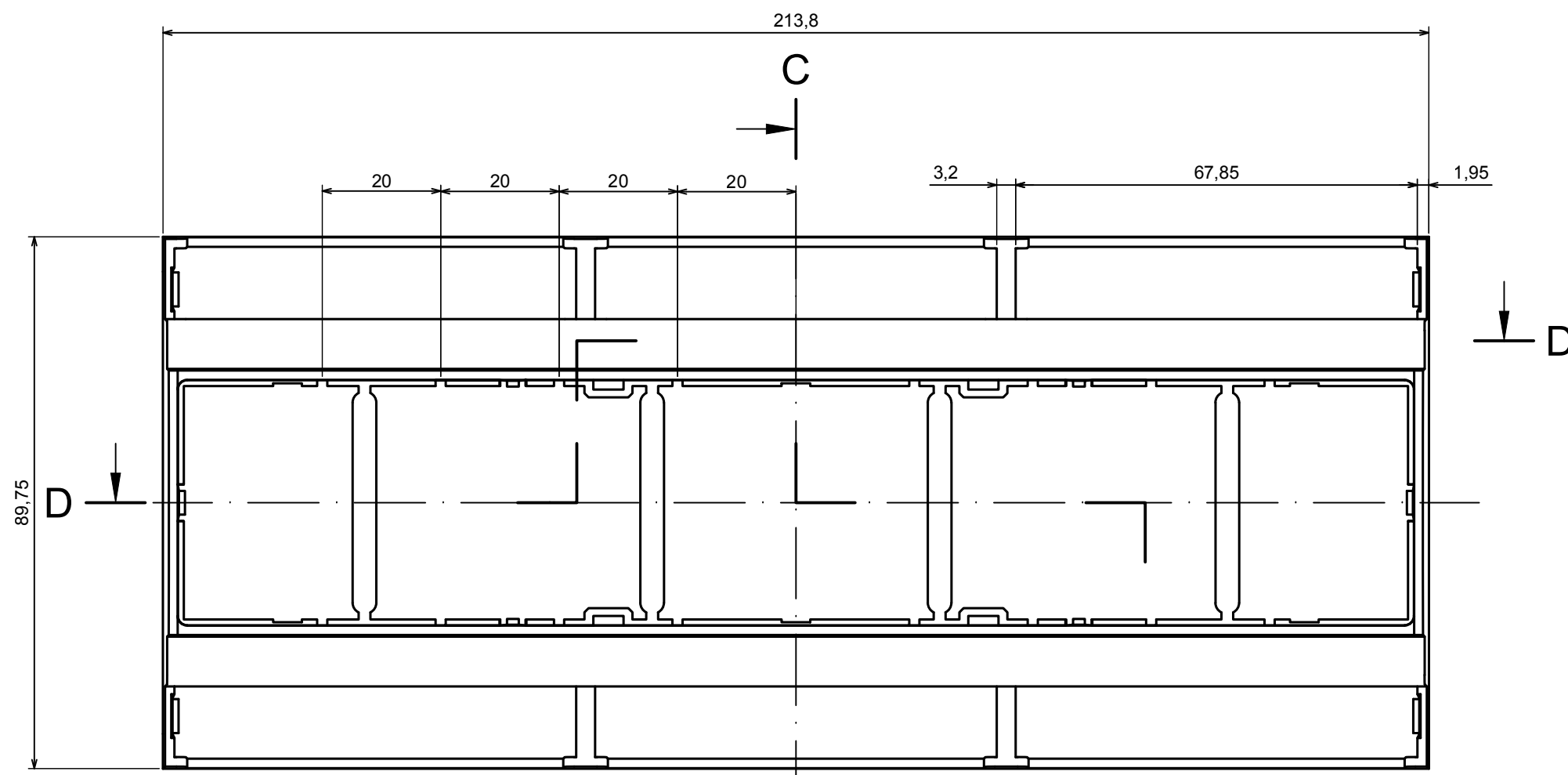


A

B-B



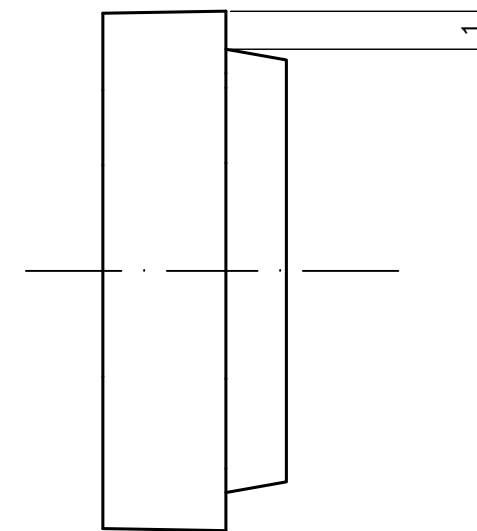
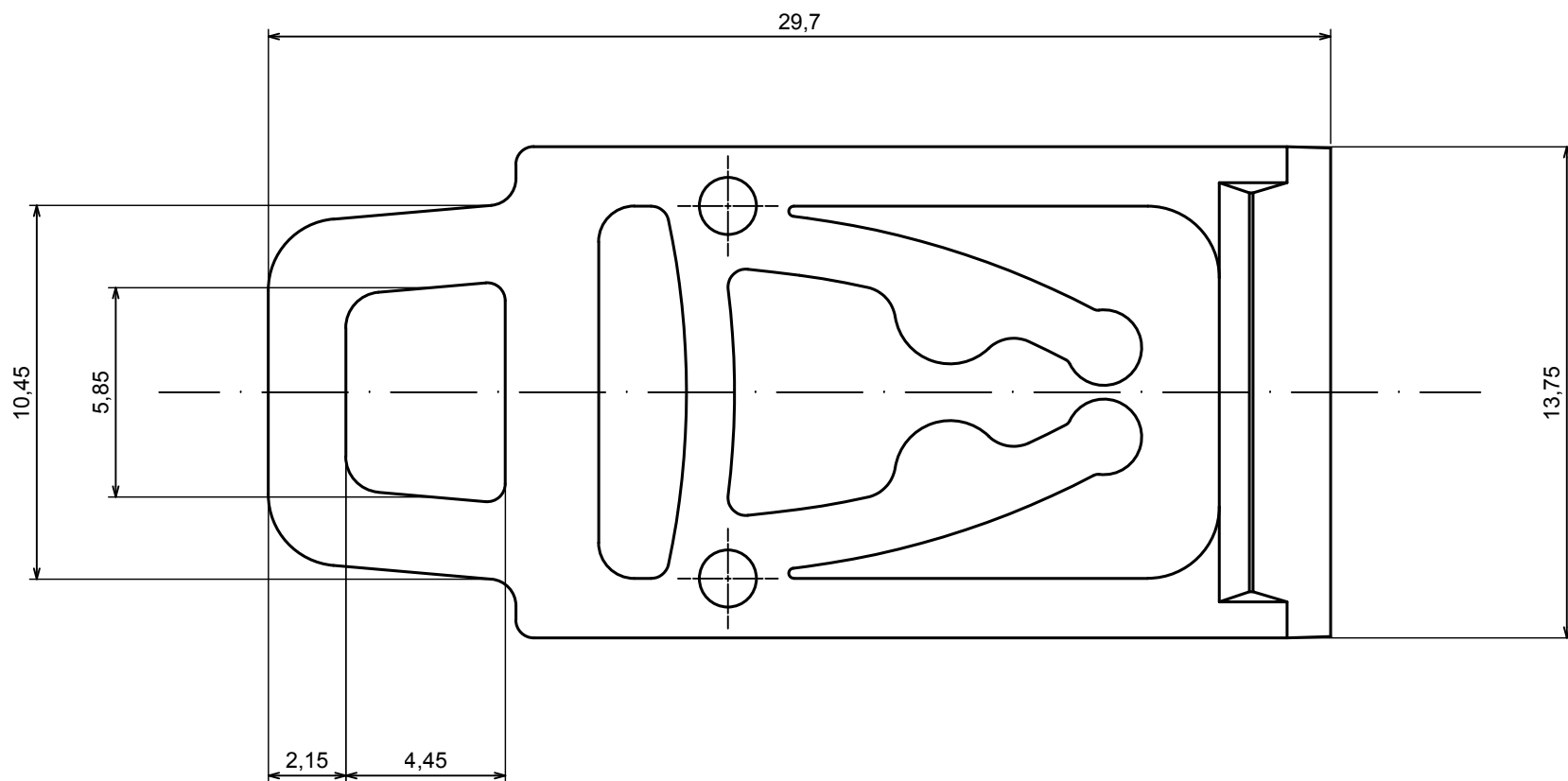
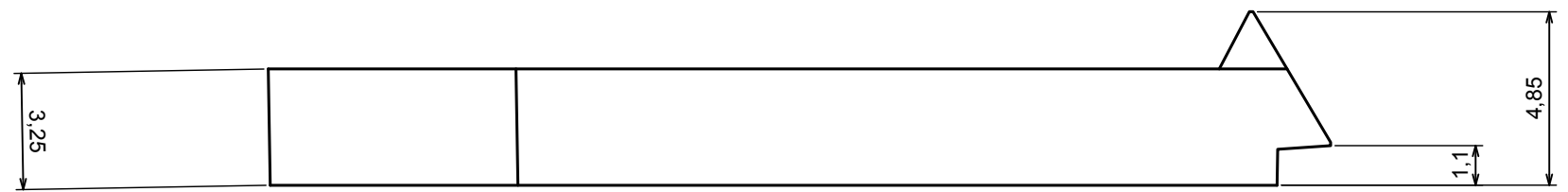
All rights reserved. Copyright Kradox 2020		
Product model	Enclosure ZD1012 - Base	
Format: A3	Material: ABS	
Scale 1:1	Tolerance: +/- 0,5	




E (4.0000)

All rights reserved. Copyright Kradox 2020	
Product model	Enclosure ZD1012 - Cover
Format: A3	Material: ABS
Scale 1:1	Tolerance: +/- 0,5





All rights reserved. Copyright Kradox 2020		
Product model	Enclosure ZD1012 - Hook	
Format: A3	Material: ABS	
Scale 5:1	Tolerance: +/- 0,5	