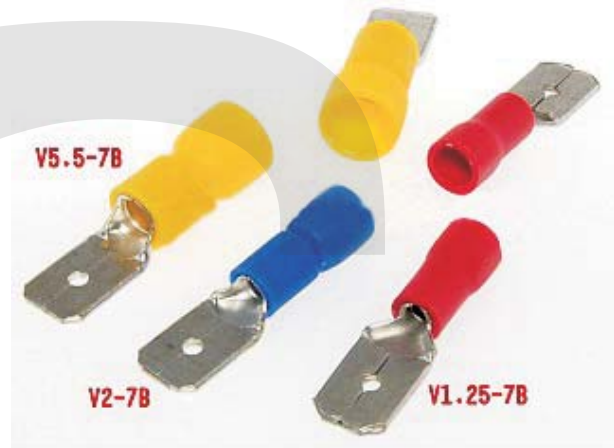
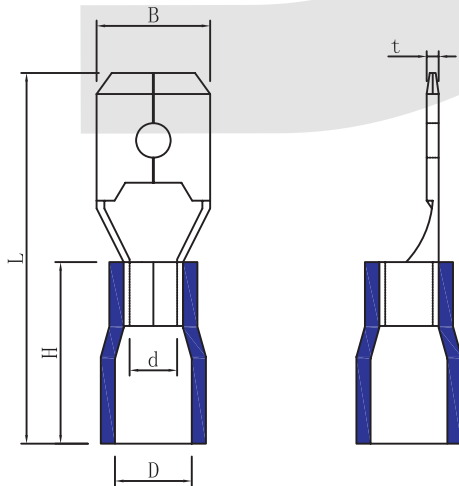


Terminals Series

KLS8-01115 Father pre-insulation terminal Series

Maximum Electrical Rating: 75°C 300 Volts MAX.
Insulation Material: VINYL
Terminal Material: BRASS



Item No.	Section of lead	Nema tab	Thickness of material: t	Dimension					COLOR
				B	d	D	L	H	
		mm	mm	mm	mm	mm	mm	mm	
MDD1.25-110(8)	0.5~1.5mm ² (22~16A. W. G.) I Max=10A	0.8*2.8	0.8	2.8	1.70	4.3	17.7	10.0	Red
MDD1.25-187(5)		0.5*4.75	0.5	4.75	1.70	4.3	20.0		
MDD1.25-187(8)		0.8*4.75	0.8	4.75	1.70	4.3	18.5		
MDD1.25-250		0.8*6.35	0.4	6.35	1.70	4.3	21.0		
MDD2-187(5)	1.5~2.5mm ² (16~14A. W. G.) I Max=15A	0.5*4.75	0.5	4.75	2.3	4.3	20.0	14.0	Blue
MDD2-187(8)		0.8*4.75	0.8	4.75	2.3	4.3	18.5		
MDD2-250		0.8*6.35	0.4	6.35	2.3	4.3	21.0		
MDD5.5-250	4~6mm ² (12~10A. W. G.) I Max=24A	0.8*6.35	0.4	6.35	3.4	5.7	25.0	14	Yellow

ORDER INFORMATION

KLS8-01115 - MDD1.25-110(8)

Item No.
Father pre-insulation terminal Series
Part Number