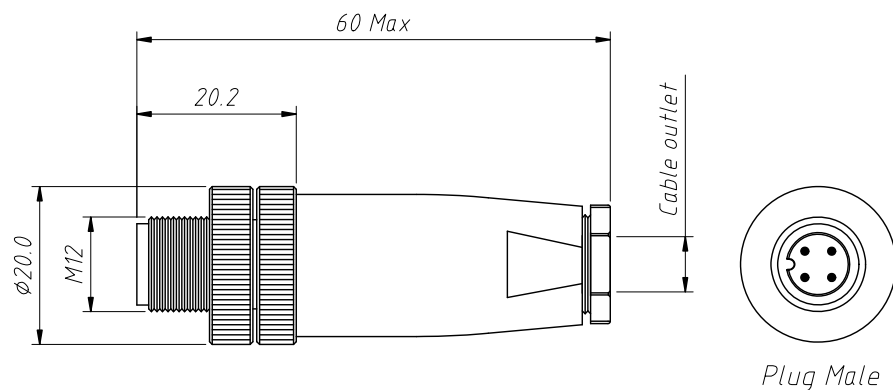
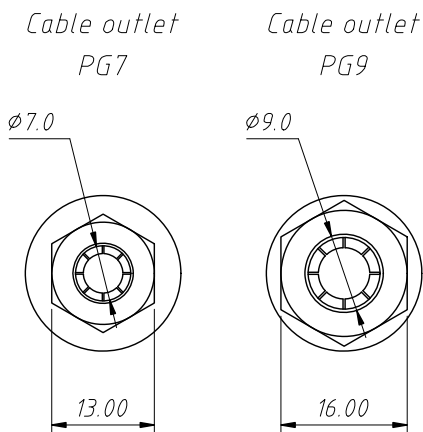


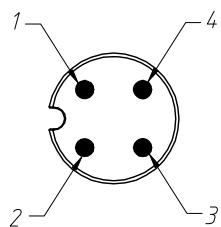
1 RoHS Compliance



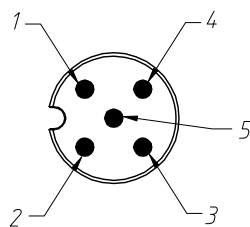
Material:
 Insulation: PBT/PA, UL 94 V-0, Black.
 Connector Pin: Brass, 0.025u" Gold plated
 Nut/Screw: Brass, Nickel plating

Electrical Characteristics:
 Contact Resistance: 5mΩ Max
 Insulation resistance: 100 MΩ Min

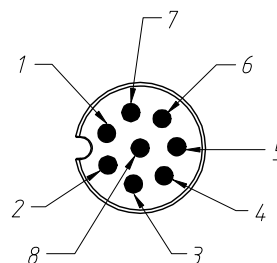
Mechanical properties:
 IP rating: IP67
 Wire gauge: 24 AWG / 0.25mm²
 Mechanical characteristics: mating/cycle > 100 cycle
 Operating Temperature: -40°C ~ + 85°C



04P



05P



08P

Order Information:
 L-KLS15-M12 A-P1 04 PG7
 L: RoHS
 Screw type: M12
 A: A-Coding
 Type:
 P1: Plug Code (Male Pin)
 P2: Plug Code (Female Pin)
 Number of Contacts:
 (04P 05P 08P)
 Cable outlet PG7 or PG9

No. of Pin	04 P	05 P	08 P
Rated current	4A	4A	2A
Rated voltage	250V	60V	30V

ANGLE TOLERANCE	PROJECTION	Description:
±3°		Cable plug connector, Metal lock Automation technology, M12
GENERAL TOLERANCE	UNITS	mm
x.x ±0.30	SHEET SIZE	A4
x.xx ±0.20	Draw:	Daniel 2022-04-01
x.xxx ±0.10	Check:	Daniel 2022-04-01



NingBo KLS ELECTRONIC CO., L TD.