

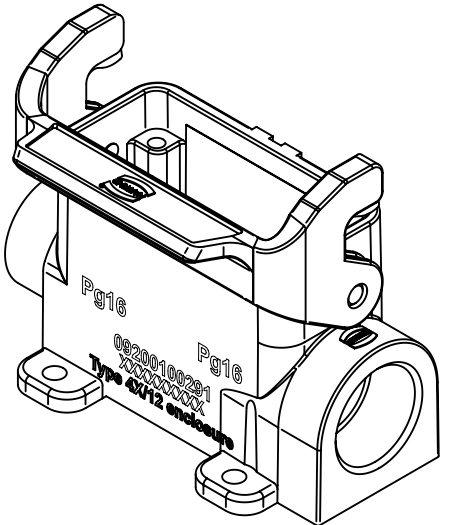
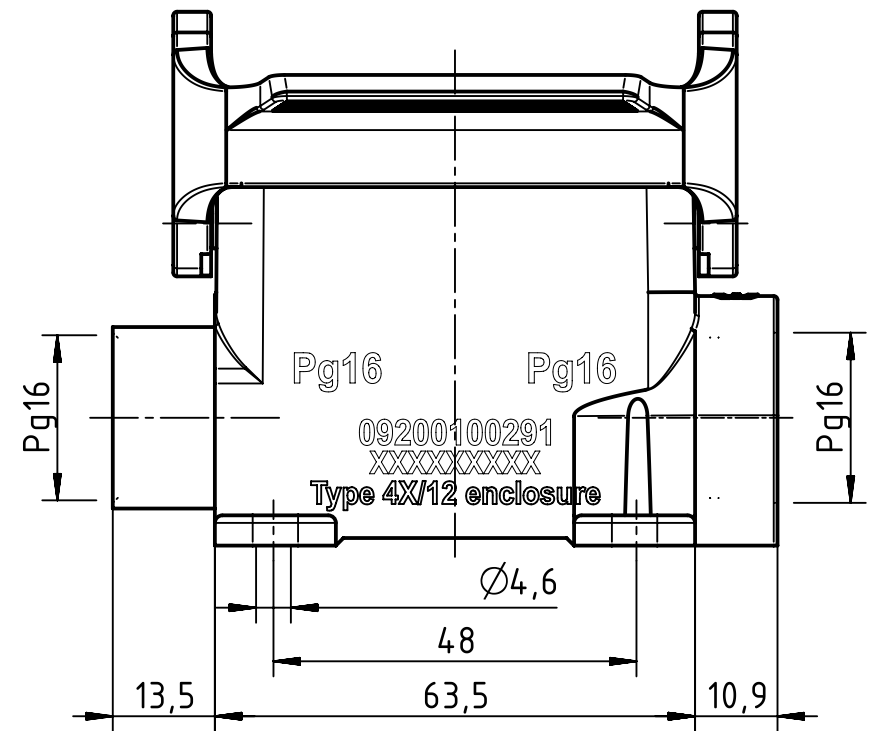
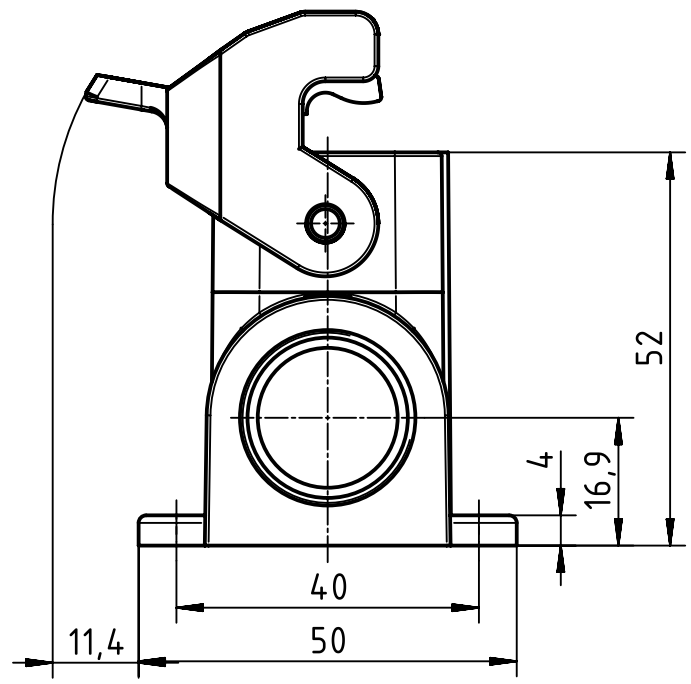
1 2 3 4 5 6

A

B

C

D



	All rights reserved Department EL PD	All Dimensions in mm Original Size DIN A4		Scale 1:1	Free size tol.	Ref. Sub.
		HARTING Electric GmbH & Co. KG D-32339 Espelkamp	Created by HELLMANN	Inspected by GERB	Standardisation GARSKE	Date 2019-11-27
Title Han 10 A-asg2-LB-16						Doc-Key / ECM-Nr. 100189735/UGD/004/D 500000161360
Type TB				Number 09 20 010 0291		Rev. D
						Page 1/1