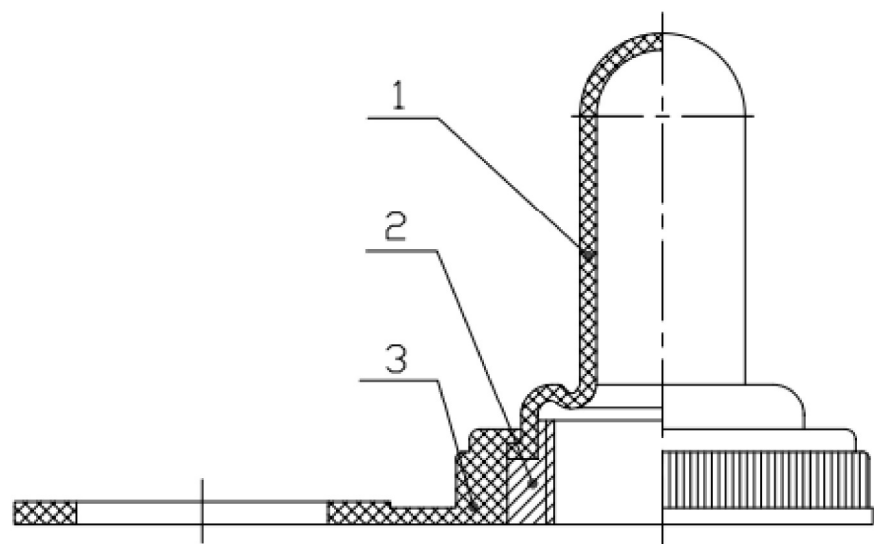


型号(TYPE): WPC-02



3	外壳 Case	1	PA6/6	A3K	CNB3081021-01631-C
2	铜螺帽 Brass Nut	1	黄铜 Brass	HPb59-1	CNB3081021-01629-C
1	橡胶套 Rubber Sheath	1	硅橡胶 Silicon Rubber		CNB3081021-01639-C