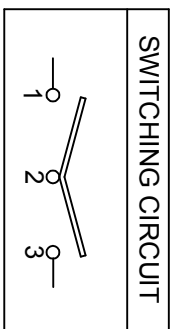
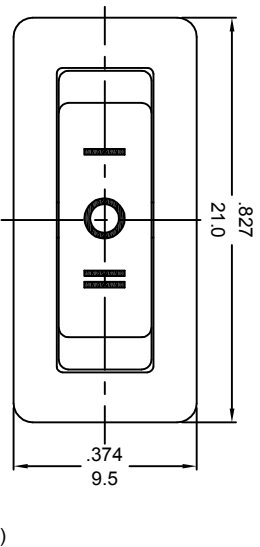
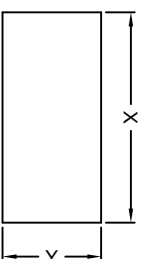
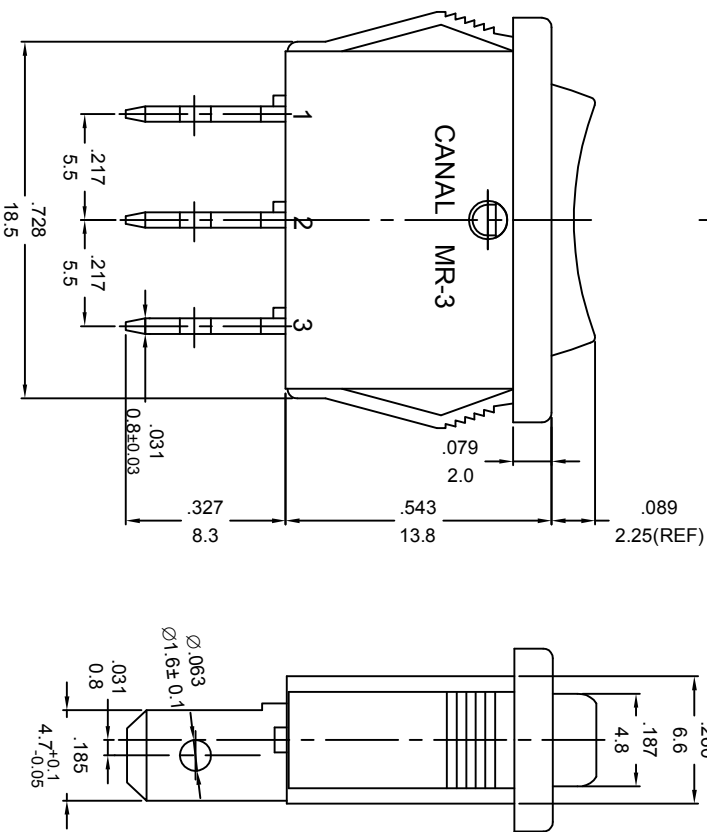


# 嘉尼企業股份有限公司 CANAL ELECTRONIC CO.,LTD.



**ROCKER SWITCH MODEL MR-3(HALF SIZE)**  
 RATING: 10A 125/250VAC,(UL/CUL)  
 10(4)A 250V~T85(ENEC/FI)  
 CONTACT RESISTANCE:20mΩ INITIAL (MAX),  
 INDULATION RESISTANCE:100MΩ (MIN),DC 500V  
 DIELECTRIC STRENGTH:1000VAC 1 MINUTE.



X(CUTOUT DIMENSION)	Y(CUTOUT DIMENSION)	Z(PANEL THICKNESS)
19.2 <sup>+0</sup> <sub>-0.15</sub> mm	6.65~6.75mm	0.75~1.25mm
19.4 <sup>+0</sup> <sub>-0.15</sub> mm	6.65~6.75mm	1.25~2mm
19.8 <sup>+0</sup> <sub>-0.15</sub> mm	6.65~6.75mm	2~3mm

PANEL CUTOUT DIMENSION TABLE

TOLERANCES UNLESS OTHERWISE SPECIFIED:±.012/0.3 (in/mm)

REVISION	DESCRIPTION	REVISED BY	TOLERANCES		ANGLE 1/2°	SCALE	UNIT	PART NAME	PART NO	DWG NO
			DRAWN BY	CHECKED BY						
△2012.05.15	取消CSA及RATTC	蔣振華	王朋			5/2	MR-3 SPEC DRAWING		S3054C	
△2011.07.15	整理圖面，重新出圖	向宏								
△2009.08.25	首次出圖	王朋				2009.08.25	MR-3-H30-C6-BBNWC			