

ROCKER SWITCH MODEL MR-5 SERIES

RATING:3A 250VAC  $\mu$  (cURus)

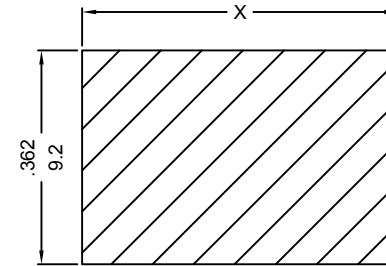
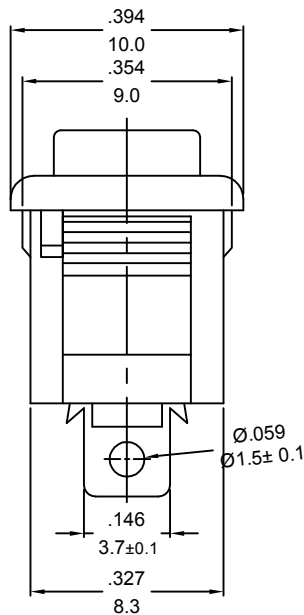
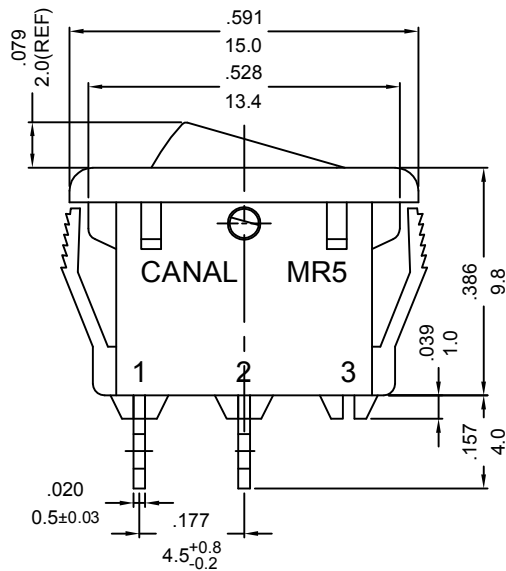
6A 125VAC  $\mu$  (cURus)

3A 250V~  $\mu$ T100/55 (ENEC15/CQC)

DIELECTRIC VOLTAGE-WITHSTAND:1,500VAC FOR 1 MINUTE

INSULATION RESISTANCE:DC 500V 100M $\Omega$  (MIN.)

CONTACT RESISTANCE:20m $\Omega$  INITIAL (MAX.)



MOUNTING HOLE



	X Cutout Dimension	Panel Thickness
A	.535/13.6 <sup>+0</sup> / <sub>-0.1</sub>	0.75~1.25
B	.539/13.7 <sup>+0</sup> / <sub>-0.1</sub>	1.25~2.0
C	.543/13.8 <sup>+0</sup> / <sub>-0.1</sub>	2.0~2.5

NOTE: TOLERANCES UNLESS OTHERWISE SPECIFIED:  $\pm .012/0.3$  (in/mm)

REVISION	DESCRIPTION	REVISED BY	TOLERANCES		ANGLE $\frac{1}{2}^\circ$	UNIT	mm	PART NAME	DWG NO
△			DRAWN BY	奚康平	DESIGNED BY	张斌	SCALE	3/1	MR5 SPEC DRAWING
△			CHECKED BY	<i>[Signature]</i>	APPROVED BY	<i>[Signature]</i>	DATE	2020.11.4	
△	2020.11.4	首次出图		奚康平				PART NO	MR5-111F5W-NBBA-0N2C