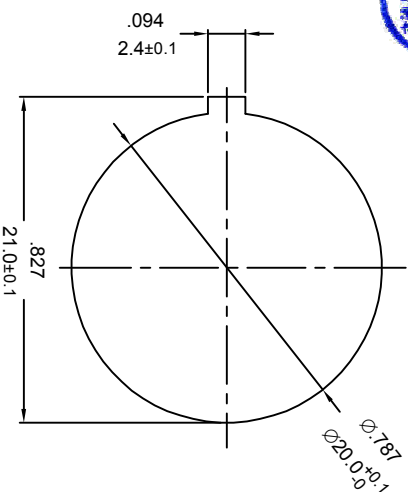
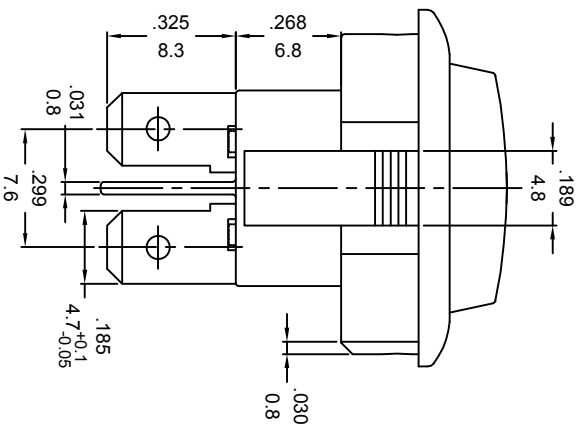
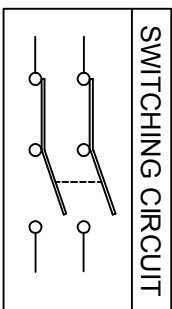
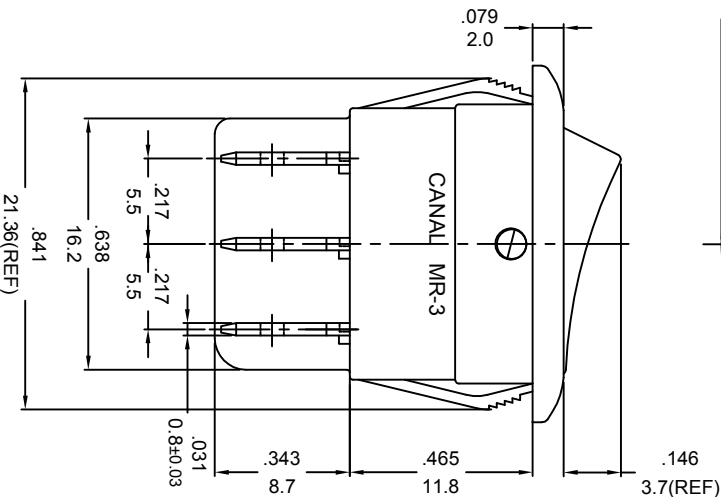
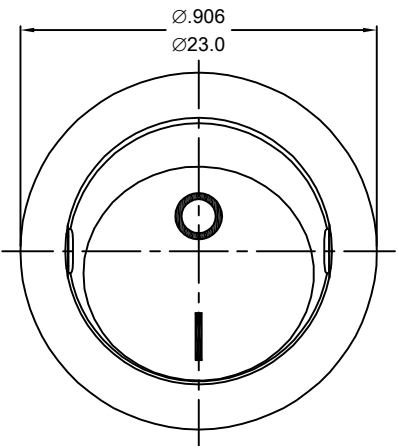


嘉尼企業股份有限公司 CANAL ELECTRONIC CO.,LTD.



PANEL CUTOUT DIMENSION TABLE

ROCKER SWITCH MODEL MR-3
 RATING: 10A 125/250VAC (UL/CUL)
 10(4)A 250V~ μT85 (F/ENEC)
 CONTACT RESISTANCE:20mΩ INITIAL(MAX),
 INSULATION RESISTANCE:500VDC 100MΩ(MIN),
 ULTASTAND VOLTAGE:1000VAC FOR 1 MINUTE.

NOTE: TOLERANCES UNLESS OTHERWISE PECIFIED:± 0.012/0.3 (in/mm)

REVISION	DESCRIPTION	REVISED BY	TOLERANCES		ANGLE ½	SCALE	UNIT	PART NAME	PART NO	DWG NO
			DRAWN BY	CHECKED BY						
△2013.10.17	整理圖面・重新出圖	向宏	向宏			2/1	mm	MR-3 SPEC DRAWING	MR-3-220-R5-BBNWC	S4642B
△2012.03.06	首次出圖	向宏	向宏			2012.03.06				