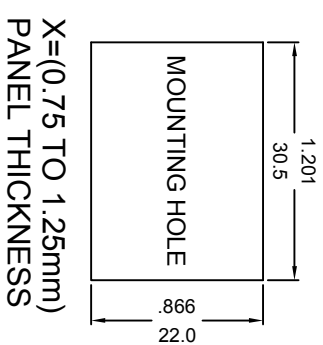
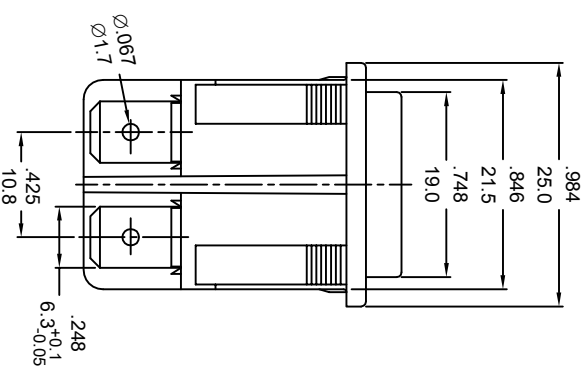
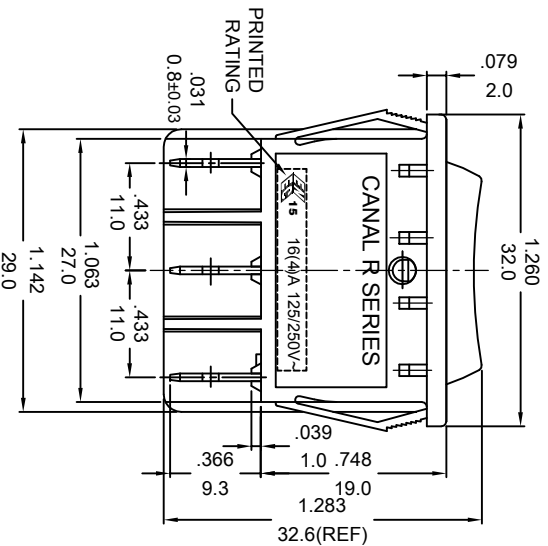


ROCKER SWITCH MODEL: RH SERIES  
 RATING: 16(4)A 125/250V~ (cURus/ENEC15)  
 16(4)A 250V~  $\mu$ T85/55 (CQC)  
 DIELECTRIC WITHSTAND VOLTAGE: 1500VAC 1 MINUTE  
 INSULATION RESISTANCE: 500VDC 100M  $\Omega$  (MIN)  
 CONTACT RESISTANCE: 20m  $\Omega$  INITIAL (MAX.)



NOTE: TOLERANCES UNLESS OTHERWISE SPECIFIED:  $\pm$  .012/0.3 (in/mm)



REVISION	DESCRIPTION	REVISED BY	TOLERANCES		ANGLE $\frac{1}{2}^\circ$	SCALE	UNIT	PART NAME	R SPEC DRAWING	DWG NO
			DRAWN BY	CHECKED BY						
			达志各		蔡剑	5/4	mm			S8602A
			达志各							
			首次出图							
			2021.09.16							