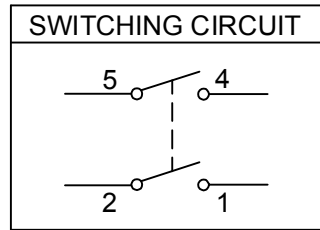
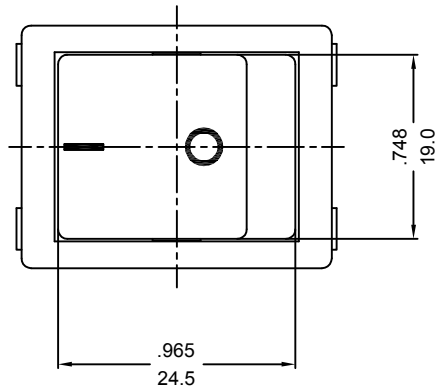


嘉尼企業股份有限公司 CANAL ELECTRONIC CO.,LTD.



ROCKER SWITCH MODEL: R SERIES

RATING: 16(4)A 125/250V~ (cURus)

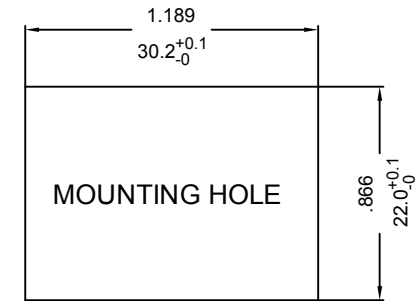
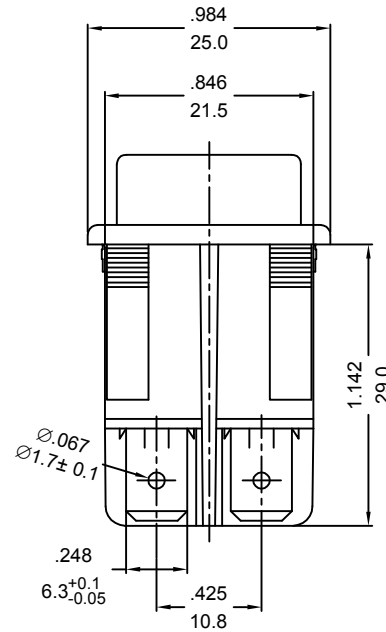
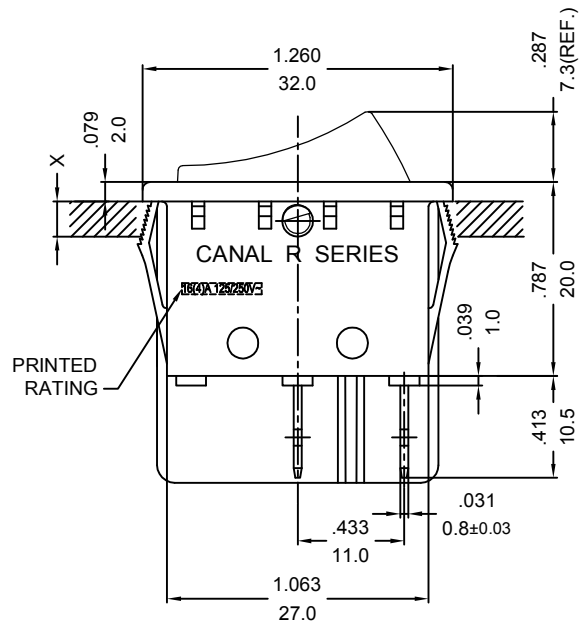
16(4)A 125/250V~T125/55 (ENEC15/CQC)

INRUSH CURRENT 150A, 10000 CYCLES

DIELECTRIC WITHSTAND VOLTAGE: 1500VAC 1 MINUTE

INSULATION RESISTANCE: 500VDC 100MΩ (MIN.)

CONTACT RESISTANCE: 20mΩ INITIAL (MAX.)



X=(0.75~1.25mm)
PANEL THICKNESS



NOTE: TOLERANCES UNLESS OTHERWISE SPECIFIED: ± .012/0.3 (in/mm)

| REVISION | DESCRIPTION | REVISED BY | TOLERANCES | | ANGLE 1/2° | | UNIT | mm | PART NAME | R SPEC DRAWING | DWG NO |
|----------|-------------|------------|------------|--------------------|-------------|--------------------|------|------------|-----------|----------------------|--------|
| | | | DRAWN BY | 达志各 | DESIGNED BY | 蔡剑 | | | | | SCALE |
| △ | | | CHECKED BY | <i>[Signature]</i> | APPROVED BY | <i>[Signature]</i> | DATE | 2022.04.19 | PART NO | R-210C5W-NBBA-111NA2 | |
| △ | 2022.09.08 | 首次出圖 | | 达志各 | | | | | | | |