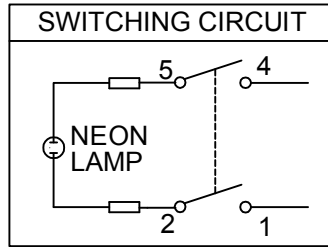
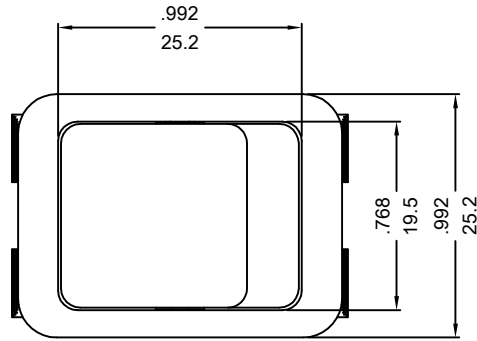


# 嘉尼企業股份有限公司 CANAL ELECTRONIC CO.,LTD.



## ROCKER SWITCH MODEL: R SERIES

RATING: 16A 125/250VAC (UL/CUL)

20A 125VAC (UL/CUL)

16(4)A 250V~T125/55 (ENEC15/CQC)

16(8)A 250V~T125/55 (ENEC15/CQC)

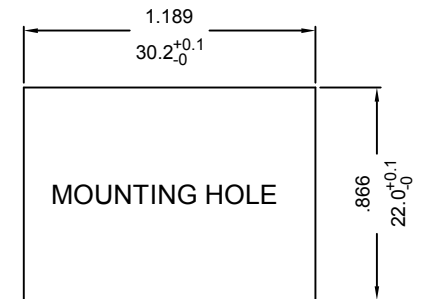
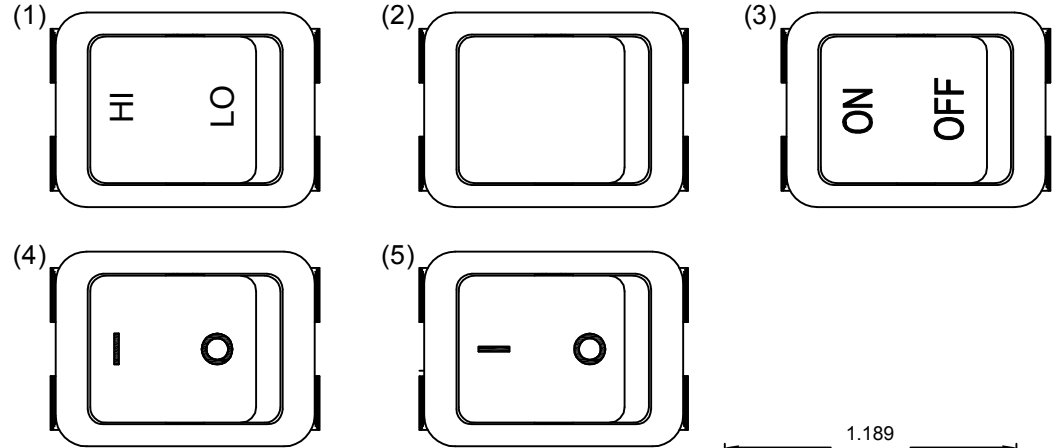
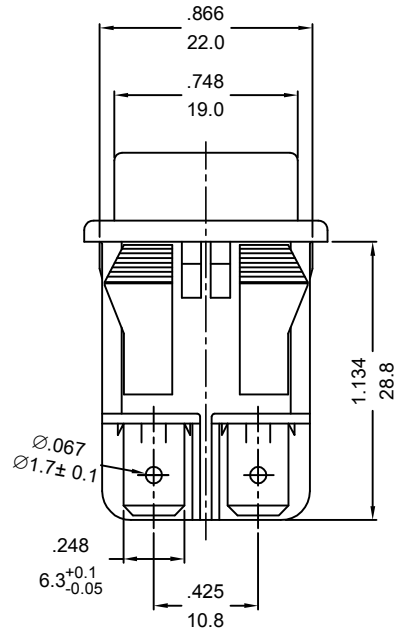
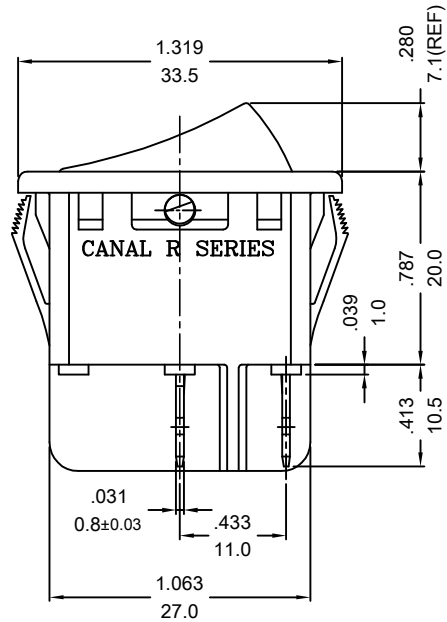


DIELECTRIC WITHSTAND VOLTAGE: 1000VAC 1 MIN

INSULATION RESISTANCE: 500VDC 100MΩ (MIN)

CONTACT RESISTANCE: 20mΩ INITIAL (MAX.)

ILLUMINATION: 200~250VAC



X=(0.75~1.25mm)  
PANEL THICKNESS

NOTE: TOLERANCES UNLESS OTHERWISE SPECIFIED: ± .012/ 0.3 (in/mm)



REVISION	DESCRIPTION	REVISED BY	TOLERANCES		ANGLE $\frac{1}{2}^\circ$	UNIT	mm	PART NAME	DWG NO
△			DRAWN BY	謝平凡	DESIGNED BY	蔡劍	SCALE	5/4	R SPEC DRAWING
△			CHECKED BY		APPROVED BY		DATE	2015.11.25	R210-1C*G-**9-N*C
△	2023.11.10	取消VDE, 改用ENEC15							S6280B
△	2015.11.25	首次出圖							