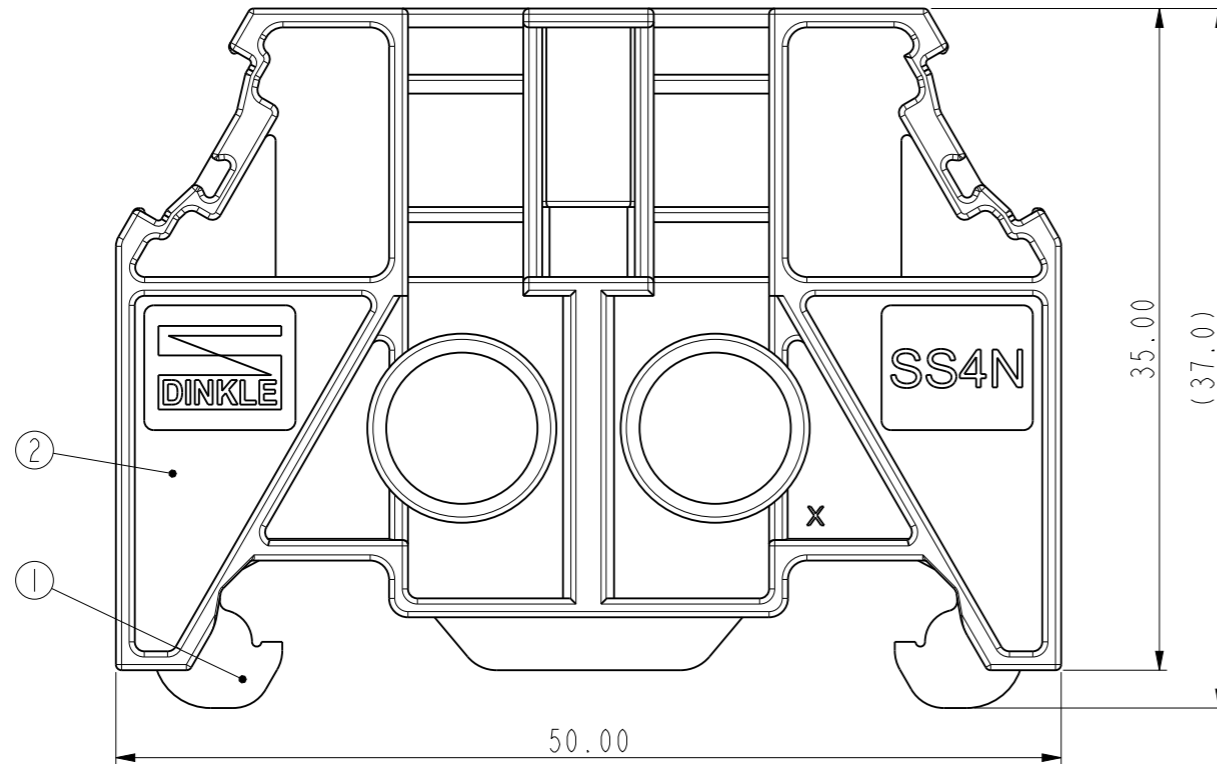
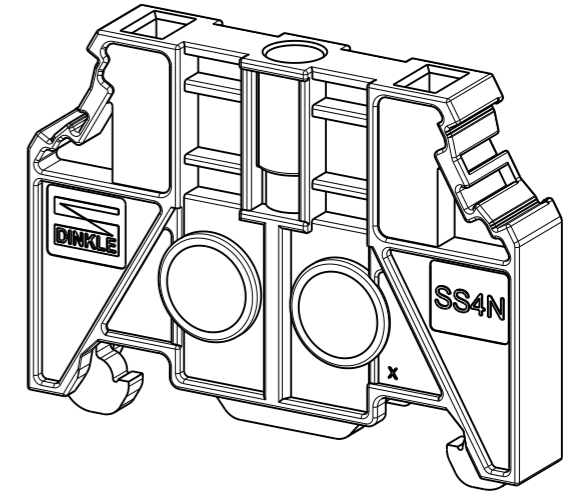
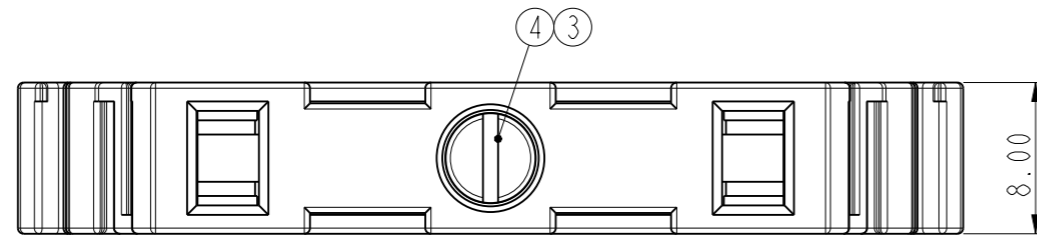


DINKLE has proprietary right to these drawings and specifications hereon, it shall not be reproduced or used as the basis for the manufacture of devices without permission. User should verify drawings are the most recent version.
Copyright © DINKLE Enterprise Co., Ltd. All Rights reserved.



4. PART NUMBERS
SS4N-□□

COLOR

BLANK: GREY (STANDARD COLOR)
BL: BLUE
RD: RED
BK: BLACK

ITEM	NAME OF PART	MATERIAL	NOTES
4	SCREW	STEEL	M3/ Zn Plated
3	NUT	STEEL	M3/ Zn Plated
2	HOUSING	PA66	UL94-V0
1	CLAMP	STEEL	Zn PLATED

DRW.	Henry.Song	DATE	2022-12-16	GENERAL TOLERANCE	
CHK.	Lj.Liang	DATE	2022-12-16	SPECIFICATION FILE	
APP.	Ying.Xu	DATE	2022-12-16	DRAWING TYPE	SP-03

PART NO.	SS4N				
----------	-------------	--	--	--	--

	DINKLE ENTERPRISE CO., LTD.	UNITS	mm	THIRD ANGLE PROJECTION	
		SCALE	2.5:1	SHEET/OF	1/1

NOTES:
1. Using Temperature Range: -40°C~+120°C
2. Screw Torque Value: 0.5~0.6N·m
3. RoHS Compliance

Total Pitch Tolerances		Normal dimension Tolerances	
0~30	±0.20	0~30	±0.25
over 30~53	±0.25	over 30~53	±0.30
over 53~70	±0.30	over 53~70	±0.35
over 70~90	±0.35	over 70~90	±0.44
over 90~115	±0.44	over 90~115	±0.55
over 115~150	±0.55	over 115~150	±0.70
over 150~200	±0.70	over 150~200	±0.85
over 200~250	±0.85	over 200~250	±1.00
over 250~320	±1.00	over 250~320	±1.20

V2	2				
REV.		CONTENT	DRW.	DATE	