

RDC Series

• 85°C 2,000Hrs assured.

- Non-solvent proof.
- For SMPS, Inverter.
- RoHS compliant.
- Halogen-free capacitors are also available.



SPECIFICATIONS

Item	Characteristics																												
Rated Voltage Range	16 ~ 100 V _{dc}	160 ~ 500 V _{dc}																											
Operating Temperature Range	-40 ~ +85°C	-25 ~ +85°C																											
Capacitance Tolerance	±20% (M) (at 20°C, at 120Hz)																												
Leakage Current	I = 0.02CV(μA) or 3mA, whichever is smaller. Where, I:Max. Leakage current(μA) C:Nominal capacitance(μF) V:Rated voltage(V _{dc}) (at 20°C, 5 minutes)																												
※ Dissipation Factor(Tanδ)	<table border="1"> <thead> <tr> <th>Rated Voltage(V_{dc})</th> <th>16</th> <th>25</th> <th>35</th> <th>50~63</th> <th>100</th> <th>160~250</th> <th>315~400</th> <th>450~500</th> </tr> </thead> <tbody> <tr> <td>Tanδ(Max.)</td> <td>0.40</td> <td>0.35</td> <td>0.30</td> <td>0.25</td> <td>0.20</td> <td>0.15</td> <td>0.15</td> <td>0.20</td> </tr> </tbody> </table> <p style="text-align: right;">(at 20°C, 120Hz)</p>		Rated Voltage(V _{dc})	16	25	35	50~63	100	160~250	315~400	450~500	Tanδ(Max.)	0.40	0.35	0.30	0.25	0.20	0.15	0.15	0.20									
Rated Voltage(V _{dc})	16	25	35	50~63	100	160~250	315~400	450~500																					
Tanδ(Max.)	0.40	0.35	0.30	0.25	0.20	0.15	0.15	0.20																					
Temperature Characteristics (Max.Impedance ratio)	<table border="1"> <thead> <tr> <th>Rated Voltage(V_{dc})</th> <th>16</th> <th>25</th> <th>35</th> <th>50~63</th> <th>100</th> <th>160~250</th> <th>315~400</th> <th>450~500</th> </tr> </thead> <tbody> <tr> <td>Z(-25°C)/Z(20°C)</td> <td>4</td> <td>3</td> <td>3</td> <td>2</td> <td>2</td> <td>4</td> <td>4</td> <td>8</td> </tr> <tr> <td>Z(-40°C)/Z(20°C)</td> <td>15</td> <td>10</td> <td>8</td> <td>6</td> <td>5</td> <td>-</td> <td>-</td> <td>-</td> </tr> </tbody> </table> <p style="text-align: right;">(at 120Hz)</p>		Rated Voltage(V _{dc})	16	25	35	50~63	100	160~250	315~400	450~500	Z(-25°C)/Z(20°C)	4	3	3	2	2	4	4	8	Z(-40°C)/Z(20°C)	15	10	8	6	5	-	-	-
Rated Voltage(V _{dc})	16	25	35	50~63	100	160~250	315~400	450~500																					
Z(-25°C)/Z(20°C)	4	3	3	2	2	4	4	8																					
Z(-40°C)/Z(20°C)	15	10	8	6	5	-	-	-																					
Load Life	<p>The following specifications shall be satisfied when the capacitors are restored to 20°C after the rated voltage is applied for 2,000 hours at 85°C.</p> <p>Capacitance change ≤ ±20% of the initial value Tanδ ≤ 200% of the initial specified value Leakage Current ≤ The initial specified value</p>																												
Shelf Life	<p>The following specifications shall be satisfied when the capacitors are restored to 20°C after exposing them at 85°C for 1,000 hours without voltage applied. The rated voltage shall be applied to the capacitors for a minimum of 30 minutes, at least 25 hours and not more than 48 hours before the measurements.</p> <p>Capacitance change ≤ ±20% of the initial value Tanδ ≤ 200% of the initial specified value Leakage Current ≤ The initial specified value</p>																												
Others	Satisfied characteristics KS C IEC 60384-4																												

※ For capacitors with CV products > 100,000 Higher Tanδ value may apply.
 When the capacitance exceed 1,000μF, 0.01 shall be added every 1,000μF increase.

RATED RIPPLE CURRENT

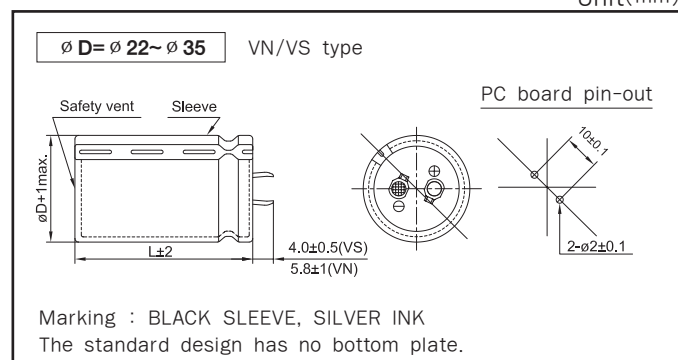
When capacitors are operated in any other condition at 120Hz, the maximum ripple current must be multiplied by the figure shown in the table.

Frequency multiplying factor

V _{dc} \ Freq.(Hz)	60	120	300	1k	10k~
16~50V _{dc}	0.95	1.00	1.03	1.05	1.08
63~100V _{dc}	0.92	1.00	1.07	1.13	1.19
160~250V _{dc}	0.81	1.00	1.17	1.32	1.45
315~500V _{dc}	0.77	1.00	1.16	1.30	1.41

DIMENSIONS OF RDC Series

Unit(mm)



RATINGS OF RDC Series

μF	V _{DC} ∅ D	16				25				35			
		22	25.4	30	35	22	25.4	30	35	22	25.4	30	35
3,900										22 × 25 2.22			
4,700										22 × 30 2.41	25.4 × 25 2.42		
5,600						22 × 25 2.21				22 × 35 2.75	25.4 × 25 2.64		
6,800						22 × 30 2.40	25.4 × 25 2.56			22 × 40 2.80	25.4 × 30 2.74	30 × 25 2.97	
8,200		22 × 25 2.51				22 × 35 2.72	25.4 × 25 2.80			22 × 45 3.11	25.4 × 35 3.10	30 × 30 3.13	
10,000		22 × 25 2.77				22 × 40 3.09	25.4 × 30 3.12	30 × 25 3.21			25.4 × 40 3.53	30 × 30 3.46	35 × 25 3.20
12,000		22 × 30 2.86	25.4 × 25 2.95			22 × 45 3.48	25.4 × 35 3.43	30 × 30 3.86	35 × 25 3.54		25.4 × 45 3.98	30 × 35 4.01	35 × 30 4.02
15,000		22 × 35 3.29	25.4 × 30 3.46	30 × 25 3.66		22 × 50 4.00	25.4 × 40 3.95	30 × 30 4.00	35 × 25 3.95			30 × 40 4.90	35 × 35 5.01
18,000		22 × 40 3.72	25.4 × 35 3.98	30 × 30 3.98			25.4 × 45 4.45	30 × 35 4.46	35 × 30 4.63			30 × 45 5.43	35 × 40 5.54
22,000		22 × 50 4.37	25.4 × 40 4.26	30 × 30 4.21			25.4 × 50 5.02	30 × 45 5.21	35 × 35 5.16				35 × 45 6.04
27,000			25.4 × 45 4.72	30 × 35 4.82				30 × 50 5.94	35 × 40 5.92				35 × 50 6.89
33,000				30 × 40 5.36	35 × 30 5.15				35 × 45 6.75				
39,000				30 × 45 6.01	35 × 35 5.95				35 × 50 7.56				
47,000				30 × 50 6.79	35 × 40 6.76								
56,000					35 × 45 7.62								

μF	V _{DC} ∅ D	50				63				100			
		22	25.4	30	35	22	25.4	30	35	22	25.4	30	35
820										22 × 25 1.86			
1,000										22 × 30 1.93			
1,200										22 × 30 2.09	25.4 × 25 2.10		
1,500										22 × 35 2.41	25.4 × 30 2.34	30 × 25 2.46	
1,800						22 × 25 1.82				22 × 40 2.71	25.4 × 35 2.75	30 × 25 2.72	
2,200		22 × 25 1.91				22 × 30 2.31	25.4 × 25 2.30			22 × 45 3.08	25.4 × 40 3.13	30 × 30 3.09	35 × 25 3.14
2,700		22 × 30 2.11	25.4 × 25 2.13			22 × 35 2.43	25.4 × 30 2.43				25.4 × 45 3.57	30 × 35 3.55	35 × 30 3.71
3,300		22 × 30 2.37	25.4 × 25 2.38			22 × 35 2.62	25.4 × 30 2.64	30 × 25 2.78			25.4 × 50 4.06	30 × 40 4.05	35 × 30 4.05
3,900		22 × 35 2.65	25.4 × 30 2.68			22 × 40 2.93	25.4 × 35 2.97	30 × 30 3.00				30 × 45 4.54	35 × 35 4.49
4,700		22 × 40 2.99	25.4 × 35 3.03	30 × 25 2.81		22 × 50 3.39	25.4 × 40 3.36	30 × 30 3.32	35 × 25 3.36			30 × 50 5.11	35 × 40 5.11
5,600		22 × 45 3.36	25.4 × 35 3.31	30 × 30 3.37	35 × 25 3.42		25.4 × 45 3.77	30 × 35 3.75	35 × 25 3.76				35 × 45 5.75
6,800		22 × 50 3.81	25.4 × 40 3.81	30 × 35 3.85	35 × 30 3.85		25.4 × 50 4.27	30 × 40 4.27	35 × 30 4.15				
8,200			25.4 × 50 4.37	30 × 40 4.36	35 × 30 4.41			30 × 45 4.83	35 × 35 4.79				
10,000				30 × 45 4.97	35 × 35 4.92			30 × 50 5.49	35 × 40 5.47				
12,000				30 × 50 5.60	35 × 40 5.58				35 × 45 6.19				
15,000					35 × 45 6.44								
18,000					35 × 50 6.71								

← Case Size ∅ D × L (mm)
 ← Rated Ripple Current (Arms/85°C, 120Hz)

RATINGS OF RDC Series

V _{DC} μF / ∅ D	160				200				250			
	22	25.4	30	35	22	25.4	30	35	22	25.4	30	35
330									22 × 30 1.49	25.4 × 25 1.51	30 × 20 1.48	
390									22 × 35 1.67	25.4 × 30 1.63	30 × 25 1.66	
470					22 × 30 1.78	25.4 × 25 1.80			22 × 40 1.88	25.4 × 30 1.86	30 × 25 1.89	35 × 20 1.89
560	22 × 30 1.95				22 × 35 2.00	25.4 × 30 1.97	30 × 25 2.01		22 × 45 2.13	25.4 × 35 2.09	30 × 30 2.14	35 × 25 2.09
680	22 × 30 2.15				22 × 40 2.27	25.4 × 30 2.24	30 × 25 2.28			25.4 × 50 2.44	30 × 35 2.43	35 × 25 2.46
820	22 × 35 2.42	25.4 × 30 2.45			22 × 45 2.58	25.4 × 35 2.53	30 × 30 2.59				30 × 40 2.75	35 × 30 2.77
1,000	22 × 40 2.75	25.4 × 35 2.79				25.4 × 40 2.88	30 × 35 2.95	35 × 25 2.90			30 × 45 3.31	35 × 35 3.22
1,200		25.4 × 40 3.15	30 × 30 3.13	35 × 25 3.27			30 × 40 3.34	35 × 30 3.31				35 × 40 3.42
1,500		25.4 × 45 3.60	30 × 35 3.63	35 × 30 3.57			30 × 45 3.84	35 × 35 3.82				35 × 45 4.06
1,800			30 × 40 4.09	35 × 30 4.05				35 × 40 4.33				
2,200				35 × 35 4.63				35 × 45 4.92				
2,700				35 × 40 5.30								

V _{DC} μF / ∅ D	315				350				400			
	22	25.4	30	35	22	25.4	30	35	22	25.4	30	35
150	22 × 25 0.98								22 × 30 1.02			
180	22 × 30 1.10				22 × 30 1.11				22 × 35 1.14			
220	22 × 35 1.26	25.4 × 25 1.23	30 × 20 1.25		22 × 35 1.26				22 × 40 1.29	25.4 × 30 1.27	30 × 25 1.30	
270	22 × 40 1.43	25.4 × 30 1.41	30 × 25 1.43	35 × 20 1.45	22 × 40 1.49	25.4 × 30 1.46	30 × 25 1.49		22 × 45 1.48	25.4 × 35 1.45	30 × 30 1.48	
330	22 × 45 1.62	25.4 × 35 1.61	30 × 25 1.62	35 × 20 1.61	22 × 45 1.66	25.4 × 35 1.63	30 × 30 1.67			25.4 × 40 1.65	30 × 30 1.65	35 × 25 1.67
390		25.4 × 40 1.79	30 × 30 1.78	35 × 25 1.86		25.4 × 40 1.88	30 × 30 1.88	35 × 25 1.94		25.4 × 45 1.84	30 × 35 1.85	35 × 30 1.88
470			30 × 35 2.02	35 × 30 2.07		25.4 × 45 2.18	30 × 35 2.20	35 × 30 2.25			30 × 40 2.09	35 × 30 2.07
560			30 × 40 2.28	35 × 35 2.33			30 × 45 2.40	35 × 30 2.37				35 × 35 2.34
680				35 × 40 2.66				35 × 35 2.78				35 × 45 2.74
820				35 × 45 3.00				35 × 40 3.15	← Case Size ∅ D × L (mm) ← Rated Ripple Current (Arms/85°C, 120Hz)			

RATINGS OF RDC Series

V _{DC} μF	∅ D	450				500			
		22	25.4	30	35	22	25.4	30	35
68						22 × 30 0.40			
82						22 × 30 0.51	25.4 × 25 0.53		
100							25.4 × 35 0.69		
120		22 × 30 0.91	25.4 × 25 0.91				25.4 × 40 0.86		
150		22 × 35 1.04	25.4 × 30 1.05				25.4 × 45 0.91	30 × 30 0.88	
180		22 × 40 1.18	25.4 × 30 1.15	30 × 25 1.17			25.4 × 50 0.96	30 × 35 0.99	
220		22 × 45 1.33	25.4 × 35 1.31	30 × 30 1.36				30 × 40 1.15	
270			25.4 × 40 1.55	30 × 35 1.60	35 × 25 1.59			30 × 50 1.44	35 × 35 1.36
330				30 × 40 1.90	35 × 30 1.88				35 × 40 1.49
390				30 × 45 2.09	35 × 35 2.08				35 × 45 1.71
470					35 × 40 2.40				35 × 50 2.08
560					35 × 45 2.70	← Case Size ∅ D × L (mm) ← Rated Ripple Current (Arms/85°C, 120Hz)			