

### GM Series panel mount single phase AC output Solid State Relays



### Introduction

GM Series panel mount single phase AC output Solid State Relays are designed to be used in almost any application, offering very long life expectancy and are easy to install, easy to use, robust and multipurpose.

### Features

- ▶ Output current of 10, 25, 50, 75, 100 and 125 Amps
- ▶ Output voltage of 24-280 Vac and 48-660 Vac
- ▶ Control voltage of 4-32 Vdc, 18-36 Vac/dc, 40-265 Vac and 90-260 Vac
- ▶ Zero cross or instantaneous (resistive or inductive loads)
- ▶ Integrated IP20 touch-safe removable covers
- ▶ LED input status indicator

### Product Selection

GM10DZL	10A	24-280 VAC	4-32 VDC	Zero Cross
GM10AZL	10A		40-265 VAC	
GM25DZL	25A	24-280 VAC	4-32 VDC	
GM25CZL	25A		18-36V AC/DC	
GM25AZL	25A		40-265 VAC	
GM25DZH	25A	48-660 VAC	4-32 VDC	
GM25AZH	25A		40-265 VAC	
GM50DZH	50A	48-660 VAC	4-32 VDC	
GM50CZH	50A		18-36V AC/DC	
GM50AZH	50A		40-265 VAC	
GM75DZH	75A	48-660 VAC	4-32 VDC	
GM75AZH	75A		40-265 VAC	
GM100DZH	100A	48-660 VAC	4-32 VDC	
GM100AZH	100A		40-265 VAC	
GM125DZH	125A	48-660 VAC	4-32 VDC	
GM125AZH	125A		40-265 VAC	
GM25DRL	25A	24-280 VAC	4-32 VDC	Random
GM25ARL	25A		90-260 VAC	
GM50DRL	50A	48-660 VAC	4-32 VDC	
GM50ARH	50A		90-260 VAC	
GM75DRH	75A	48-660 VAC	4-32 VDC	

### Input Specifications

Parameter-list	Specification Limits			
	4 to 32VDC	18-36VAC/DC	40-265VAC	90 to 260VAC
Control Voltage Range	4 to 32VDC	18-36VAC/DC	40-265VAC	90 to 260VAC
Input Current(Min.)	10mA	5mA AC/4mA DC	6.5mA	5mA
Input Current(Max.)	20mA	10mA	15mA	10mA
Must Turn On Voltage	4Vdc	18VAC/DC	40VAC	90VAC
Must Turn Off Voltage	1Vdc	5VAC/DC	10VAC	10VAC
Maximum Turn-On Time [msec]	1/2 Cycle	1/2 Cycle	1/2 Cycle	1/2 Cycle
Maximum Turn-Off Time [msec]	1/2 Cycle	1/2 Cycle	1/2 Cycle	1/2 Cycle

### GM Series panel mount single phase AC output Solid State Relays



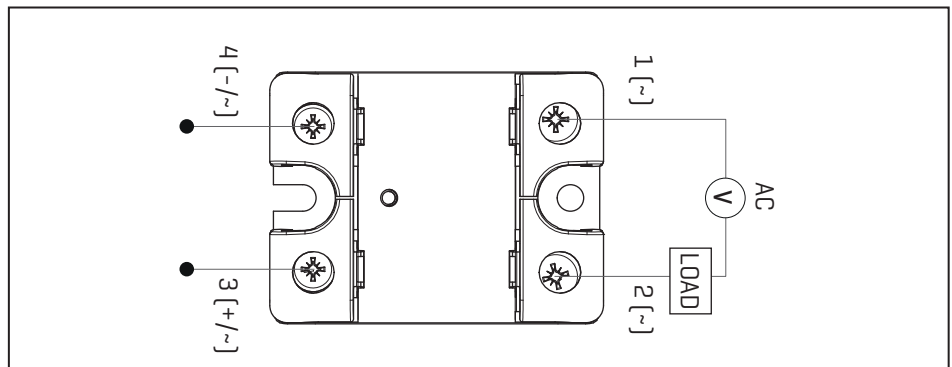
### Output Specifications

Parameter	Units	Specification Limits					
Model No.:GM	Amp	10	25	50	75	100	125
Load Current Range	Arms	0.05 to 10	0.05 to 25	0.1 to 50	0.1 to 75	0.1 to 100	0.1 to 125
Surge Current 20mSec(Max.)	Arms	150	250	500	800	1000	1200
Load Voltage Range(280V)	Vrms	24 to 280					
TRIAC Over voltage(280V)	Vpk	≥800					
Load Voltage Range(660V)	Vrms	48 to 660					
TRIAC Over voltage(440V)	Vpk	≥1200					
Thermal Resistance,(Rthjc)	°C/W	2.5	2.5	1.3	0.65	0.3	0.3
Frequency Range	Hz	47 to 63					
Off State dv/dt (Min.)	V/μsec	200	200	500	500	500	500
Off State Leakage Current(Max.)	mArms	≤8					
On State Voltage Drop(Max.)	Vrms	1.5	1.5	1.6	1.6	1.8	1.8
Turn On Time (Max.)"Z"	Cycle	1/2					
Turn On Time (Max.)"R"	mSec	1					
Turn Off Time (Max.)"D"	Cycle	1/2					
Turn Off Time (Max.)"A"	mSec	10					

### General Specifications (Ta=25°C)

Description	Specification Limits
Dielectric (Input/Output) (Vrms)	2500
Dielectric (Input-Output/Base) (Vrms)	2500
Capacitance(pf)	10
Ambient Temperature Range	Operating or Storage -30°C to +80°C
Weight (Typical)	120g
Base Plate	Copper, nickel-plated
Led Display	Yes

### Wiring Diagram



### Dimensions (mm)

