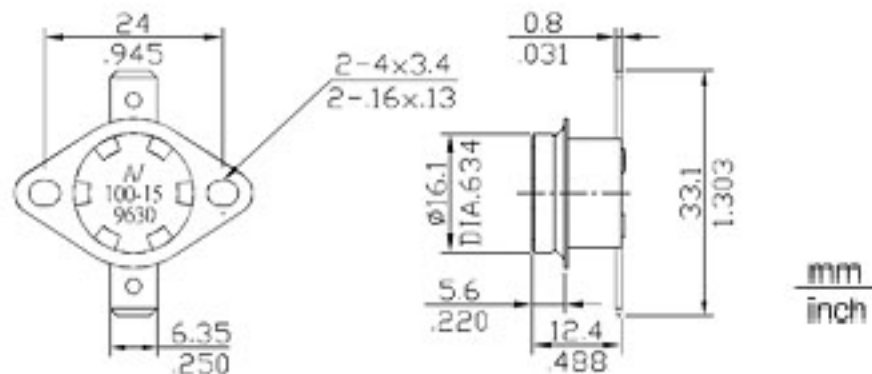


# KSD-301 THERMOSTAT



## SPECIFICATION

- Electrical Rating : 16A 125V AC (Resistive Load)  
10A 250V AC (Resistive Load)  
16A 250V AC (Resistive Load)
- Operating Temp : 50 ~ 175°C (UL.CUL 205°C)
- Differential : 10~30K (15K Standard)
- Temp. Tolerance : Operating Temp.  $\pm 3K \pm 5K$
- Heat Durability : 220°C Max. (PPS)
- Circuit Resistance : 50m  $\Omega$  Max.
- Insulation Resistance : 100M  $\Omega$  Min. at DC500V
- Dielectric Strength : AC 1000V for One Minute.  
or AC 1800V for One Second.
- Operating Life : 100000 Cycles (16A 125V/10A 250V AC)  
10000 Cycles (16A 250V AC)



## CONTACT TYPE :

NC - Contact Opens When Temperature Rises to Set Point (Normally Closed)



NO - Contact Closes When Temperature Rises to Set Point (Normally Open)



## TEMP. TOLERANCE :

Grade	A	B
Action $\pm^\circ\text{C}$	3	5

○ The Grade of Temp. Tolerance is "A", When The Operating Temp. is Less Than 105°C.

○ The Grade of Temp. Tolerance is "B", When The Operating Temp. is Over 106°C.