

1 2 3 4 5 6

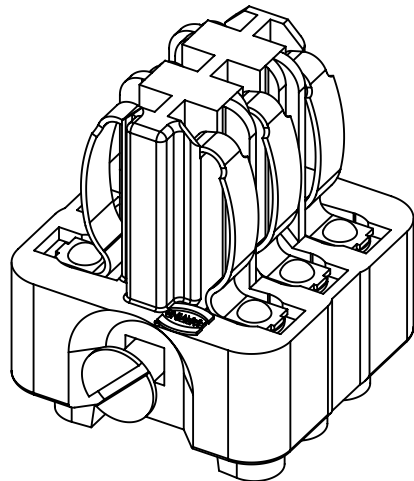
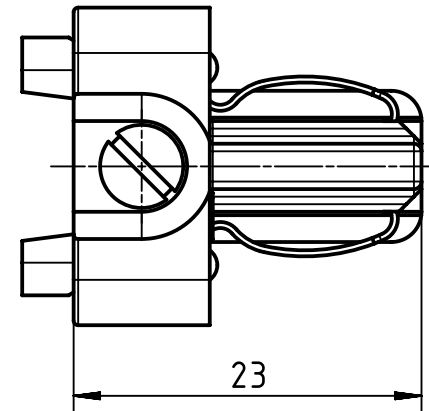
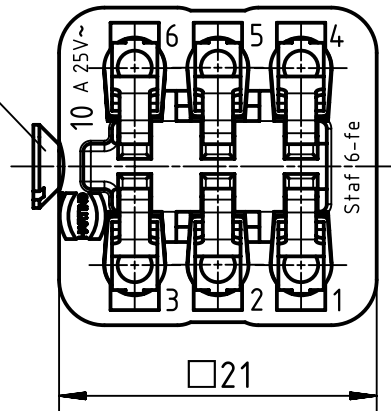
A

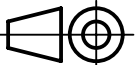

B

C

D

fixing screw



	All Dimensions in mm Original Size DIN A4		Scale 2:1	Free size tol.		Ref.	
			Created by SPRENB	Inspected by GERB	Standardisation RUETERA	Date 2019-01-16	State Final Release
All rights reserved Department EL PD		Title <b>STAF 6 FE -L</b>				Doc-Key / ECM-Nr. 100131679/UGD/003/A 500000145853	
HARTING Electric GmbH & Co. KG D-32339 Espelkamp		Type TB	Number <b>09 70 006 2812</b>			Rev. A	Page 1/1