

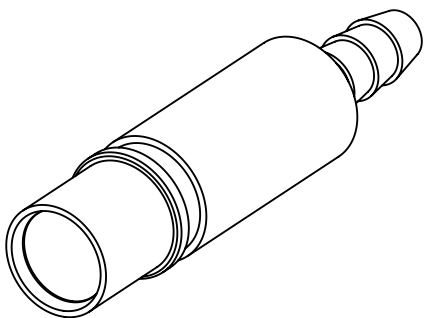
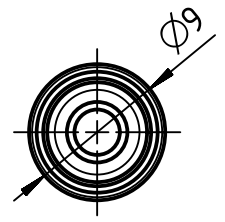
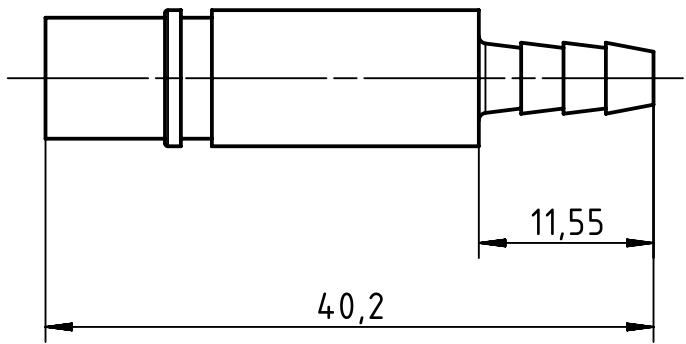
1 2 3 4 5 6


A

B

C

D



	All Dimensions in mm Original Size DIN A4		Scale 2:1	Free size tol.		Ref.	
	All rights reserved Department EL PD		Created by MOELLERLI	Inspected by BEISCHER	Standardisation RUETERA	Date 2018-05-16	State Final Release
HARTING Electric GmbH & Co. KG D-32339 Espelkamp			Title Pneum. contact metal ID 4 female			Doc-Key / ECM-Nr. 100655144/UGD/001/E 500000133860	
			Type TB	Number 09 14 000 6404		Rev. E	Page 1/1