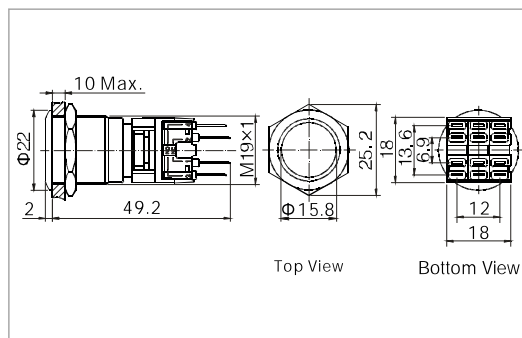


Metal push button



LAS1-BGQ-□■

- ⊙ Φ19mm diameter
- ⊙ Combined Structure
- ⊙ Switch Rating: 5A/250VAC
- ⊙ Contact Configuration: 1NO1NC / 2NO 2NC / 3NO 3NC
- ⊙ Operation Type: Momentary/Latching
- ⊙ The crust material: Stainless Steel
- ⊙ IP Degree: IP67

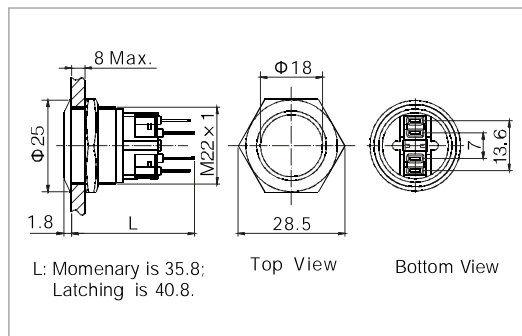


Anti-vandal push button



GQ22-11■

- ⊙ Φ22mm diameter
- ⊙ Switch Rating: 5A/250VAC
- ⊙ Contact Configuration: 1NO1NC
- ⊙ Operation Type: Momentary/Latching
- ⊙ The crust material: Stainless Steel
- ⊙ IP Degree: IP65

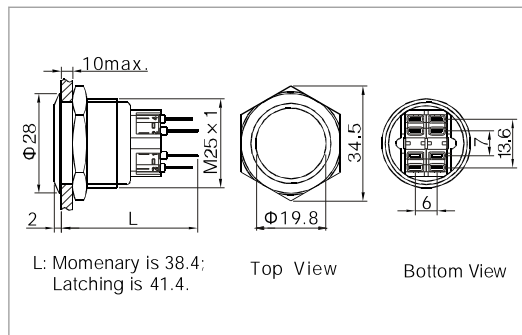


Anti-vandal push button



GQ25-□■

- ⊙ Φ25mm diameter
- ⊙ Switch Rating: 5A/250VAC
- ⊙ Contact Configuration: 1NO1NC / 2NO 2NC
- ⊙ Operation Type: Momentary/Latching
- ⊙ The crust material: Stainless Steel
- ⊙ IP Degree: IP65



Specification	LAS1-BGQ-□■	GQ22-11■	GQ25-□■
The Front Shape	Flat Round	Flat Round	Flat Round
Terminal Type	Pin Terminal(2.8×0.5mm)	Pin Terminal(2.8×0.5mm)	Pin Terminal(2.8×0.5mm)
Switching	No.2	No.2	No.2
Max.Switch Rating	Ith:5A Ui:250VAC	Ith:5A Ui:250VAC	Ith:5A Ui:250VAC
Contact Resistance	≤50mΩ	≤50mΩ	≤50mΩ
Insulation Resistance	≥1000MΩ	≥1000MΩ	≥1000MΩ
Dielectric Intensity	2000VAC	2000VAC	2000VAC
Operating Temp	-20℃ ~ +55℃	-20℃ ~ +55℃	-20℃ ~ +55℃
Mechanical life	1,000,000cyeles	1,000,000cyeles	1,000,000cyeles
Electrical life	50,000cyeles	50,000cyeles	50,000cyeles
Panel Thickness	1 ~ 6mm	1 ~ 6mm	1 ~ 6mm
Torque	5 ~ 14Nm	5 ~ 14Nm	5 ~ 14Nm
Operation Pressure	5.5~8N	About 5.5N	5.5~7N
Operation Distance	About 3.1mm	About 2.5mm	About 2.8mm
IP Degree	IP67	IP65	IP65
Material	Contact	Silver Alloy	Silver Alloy
	Button	Stainless Steel	Stainless Steel
	Body	Stainless Steel	Stainless Steel
	Base	PA	PA
RoHS	Made to order	Made to order	Made to order