



# KAMCAP SUPERCAPACITOR

# SE D

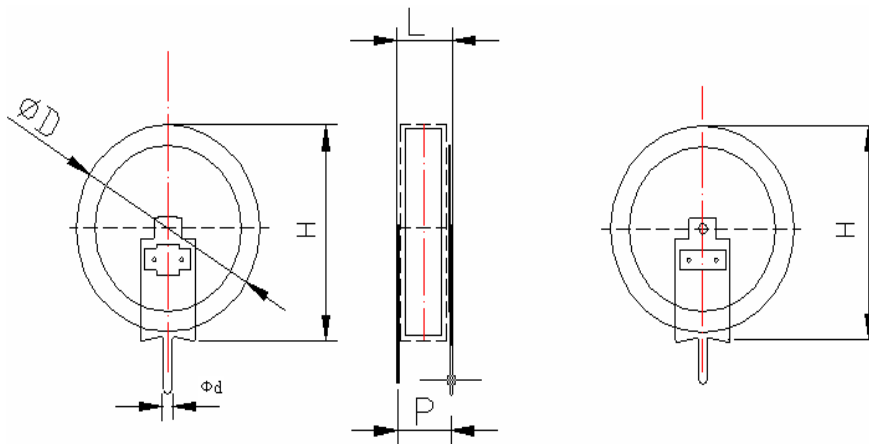
## FEATURES

- Serial structure, two cell with the same Characteristics
- Ideal for backing up of CMOS's, microcomputers, RAM's and the like used in VCR's, turners, TV sets, telephone sets and other.
- Low ESR, high energy density.



## SPECIFICATIONS

Operating temperature	-25°C~70°C
Rate voltage	5.5V
Surge Voltage	6.3V
Max Capacitance tolerance	-20%~80%
Temperature Characteristics	+70°C   $\Delta C/C$   $\leq 30\%$ , ESR $\leq 100\%$ of the specified value at 25°C -25°C   $\Delta C/C$   $\leq 50\%$ , ESR $\leq 400\%$ of the specified value at 25°C
High temperature load	After 1000h, +70°C $\pm 2$ , nominal voltage,   $\Delta C/C$   $\leq 30\%$ of the initial measured value, ESR $\leq 400\%$ of the initial specified value
High temperature without load	After 1000h, +70°C $\pm 2$ , nominal voltage,   $\Delta C/C$   $\leq 30\%$ of the initial measured value, ESR $\leq 200\%$ of the initial specified value
Humidity Resistance	After +40°C $\pm 2$ , 90~95%RH, 240h,   $\Delta C/C$   $\leq 30\%$ of the initial measured value, $I_L \leq 200\%$ of the initial specified value, ESR $\leq 4$ time of the initial specified value



Part Number	Rated Capacitance(F)	Operating Voltage (V)	ESR 1kHz (Ω)	Size (mm $\Phi D \times L \times H$ ) $\pm 0.5\text{mm}$	P(mm) $\pm 0.5\text{mm}$	$\Phi d$ (mm) $\pm 0.1\text{mm}$
SE-5R5-D104VYV	0.1	5.5	55	11.2×4.5×12.3	4.2	1
SE-5R5-D224VYV	0.22	5.5	44	11.2×4.5×12.3	4.2	1
SE-5R5-D334VYV	0.33	5.5	44	11.2×5.0×12.3	4.7	1
SE-5R5-D474VYV	0.47	5.5	22	18.7×4.7×20	4.5	1
SE-5R5-D105VYV	1	5.5	22	18.7×5.1×20	5.0	1
SE-5R5-D155VYV	1.5	5.5	11	18.7×5.1×20	5.0	1