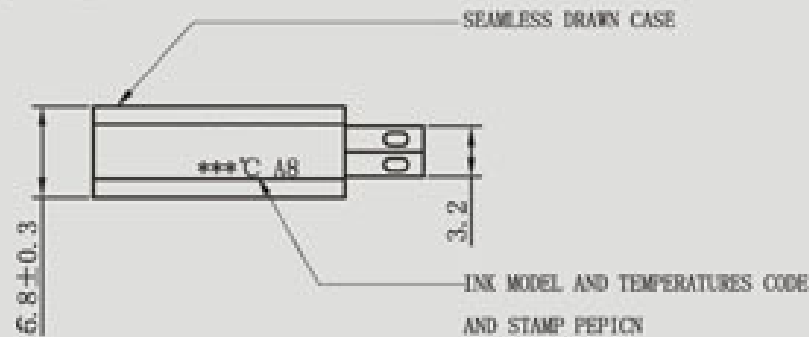


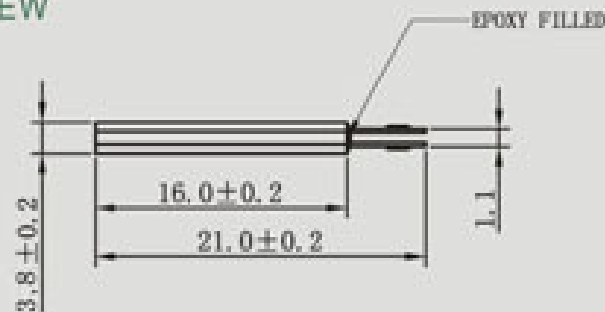
Thermal Protector



TOP VIEW



SIDE VIEW



Special Features:

- Insulation case, small size and easy for fixing;
- Action accurately and no flash over;
- Double protection of current and temperature;
- Temperature is preset before releasing.
- Terminals can be Nickel strip or leadwire.

Electrical ratings:

- 5A / 250V AC

Temperature ratings:

- Temperature range: 30°C ~150°C ;
- Tolerance: $\pm 2^\circ\text{C}$

Structure:

