

DARLINGTON ARRAY DRIVER IC

DESCRIPTION

The ULN2803 is high-voltage, high-current darlington driver IC composed of 8 NPN darlington pairs. All units share the emitter in common, and each unit adopts open-collector output. A 2.7KΩ resistor is connected to each darlington pair in serial, which is compatible with TTL and 5V CMOS for data processing without logic buffer.

Sink current of ULN2803 is up to 500mA, when it is off state, the withstand voltage is 50V and the output can runs with high load current, which provides solutions for various interface.

FEATURES

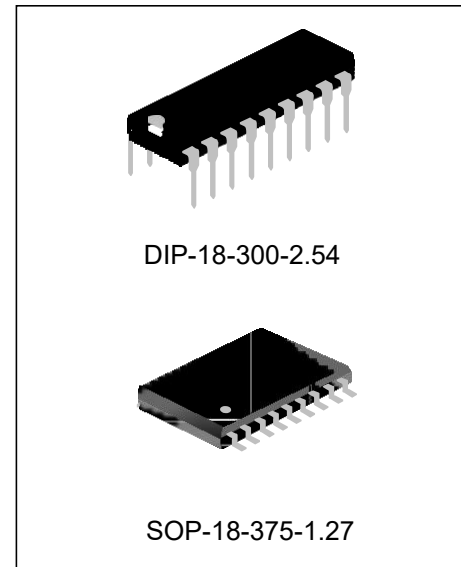
- ◆ Wide operating voltage range
- ◆ 8-ch high-gain darlington array
- ◆ High output voltage (up to 50V)
- ◆ High output current (up to 500mA)
- ◆ Able to connect to TTL, CMOS, PMOS directly
- ◆ Clamp diodes for switching inductive loads

APPLICATIONS

- ◆ Relay driver
- ◆ DC lamp driver
- ◆ Step motor driver
- ◆ Magnet valve
- ◆ DC brushless motor driver

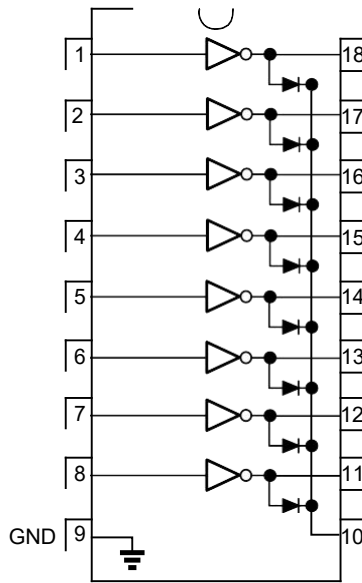
ORDERING INFORMATION

| Part No.      | Package         | Marking   | Hazardous Substance Control | Packing Type |
|---------------|-----------------|-----------|-----------------------------|--------------|
| UMW ULN2803AN | DIP-18-300-2.54 | ULN2803AN | Halogen free                | Tube         |
| UMW ULN2803A  | SOP-18-375-1.27 | ULN2803A  | Halogen free                | Tape&Reel    |



DARLINGTON ARRAY DRIVER IC

BOLBK DIAGRAM



| Pin      |       | I/O           | Description  |
|----------|-------|---------------|--|
| Pin name | Pin   |               |  |
| <1:8>    | 1-8   | Input         | Channel 1~8 darlington input                       |
| <11:18>  | 18-11 | Output        | Channel 1~8 darlington output                      |
| (GND)    | 9     | GND           | Ground   |
| COM      | 10    | Input/ Output | Positive of clamp diode (used with inductive load) |

ABSOLUTE MAXIMUM RATINGS

| Parameter                      | Symbol    | Ratings | Units |
|--------------------------------|-----------|---------|-------|
| Input Voltage                  | $V_{IN}$  | -0.5~30 | V     |
| Output Voltage                 | $V_{OUT}$ | -0.5~50 | V     |
| Clamp Diode Reverse Voltage    | $V_R$     | 55      | V     |
| Output Current                 | $I_{OUT}$ | 500     | mA    |
| Clamp Diode Forward Current    | $I_F$     | 500     | mA    |
| Storage Temperature            | $T_{STG}$ | -55~150 | °C    |
| Operating Temperature          | $T_{OPR}$ | -40~85  | °C    |
| Operating Junction Temperature | $T_J$     | -40~150 | °C    |

## DARLINGTON ARRAY DRIVER IC

ELECTRICAL CHARACTERISTICS (Ta = 25 °C UNLESS OTHERWISE NOTED)

| Parameter                   | Symbol               | Test conditions  | Min. | Typ. | Max. | Units |
|-----------------------------|----------------------|--|------|------|------|-------|
| Output Leakage Current      | I <sub>CEX</sub>     | T <sub>A</sub> =25°C, V <sub>CE</sub> =50V(Figure 1)       | --   | --   | 20   | µA    |
|                             |                      | T <sub>A</sub> =85°C, V <sub>CE</sub> =50V(Figure 1)       | --   | --   | 100  |       |
| CE Saturation Voltage       | V <sub>CE(sat)</sub> | I <sub>OUT</sub> =350mA, I <sub>IN</sub> =500 µA(Figure 3) | --   | 1.3  | 1.6  | V     |
|                             |                      | I <sub>OUT</sub> =250mA, I <sub>IN</sub> =350 µA(Figure 3) | --   | 1.1  | 1.3  |       |
|                             |                      | I <sub>OUT</sub> =100mA, I <sub>IN</sub> =250 µA(Figure 3) | --   | 0.9  | 1.1  |       |
| Input Current (Output On)   | I <sub>I(ON)</sub>   | V <sub>I</sub> =3.85V(Figure 4)                            | --   | 0.93 | 1.35 | mA    |
| Input Current (Output Off)  | I <sub>I(OFF)</sub>  |  |      |      |      | µA    |
|                             |                      | T <sub>A</sub> =+25°C, I <sub>C</sub> =500µA(Figure 5)     | 50   | 100  | --   |       |
|                             |                      | T <sub>A</sub> =+85°C, I <sub>C</sub> =500µA(Figure 5)     | 25   | 50   | --   |       |
| Input Voltage (Output On)   | V <sub>I(ON)</sub>   | V <sub>CE</sub> =2.0V, I <sub>C</sub> =200mA(Figure 6)     | --   | --   | 2.4  | V     |
|                             |                      | V <sub>CE</sub> =2.0V, I <sub>C</sub> =250mA(Figure 6)     | --   | --   | 2.7  |       |
|                             |                      | V <sub>CE</sub> =2.0V, I <sub>C</sub> =300mA(Figure 6)     | --   | --   | 3.0  |       |
| Input Capacitance           | C <sub>I</sub>       |  | --   | 15   | 30   | pF    |
| Turn-on Delay               | t <sub>MH</sub>      | 0.5V <sub>I</sub> to 0.5 V <sub>O</sub>                    | --   | --   | 1.0  | µS    |
| Turn-off Delay              | t <sub>ML</sub>      | 0.5V <sub>I</sub> to 0.5 V <sub>O</sub>                    | --   | --   | 1.0  |       |
| Clamp Diode Reverse Current | I <sub>R</sub>       |  | --   | --   | --   | µA    |
|                             |                      | T <sub>A</sub> =+25°C, V <sub>R</sub> =50V(Figure 7)       | --   | --   | 10   |       |
|                             |                      | T <sub>A</sub> =+85°C, V <sub>R</sub> =50V(Figure 7)       | --   | --   | 50   |       |
| Clamp Diode Forward Voltage | V <sub>F</sub>       | I <sub>F</sub> =350mA(Figure 8)                            | --   | 1.7  | 2.0  | V     |

Notes: 1. Absolute maximum ratings are those values beyond which the device could be permanently damaged.

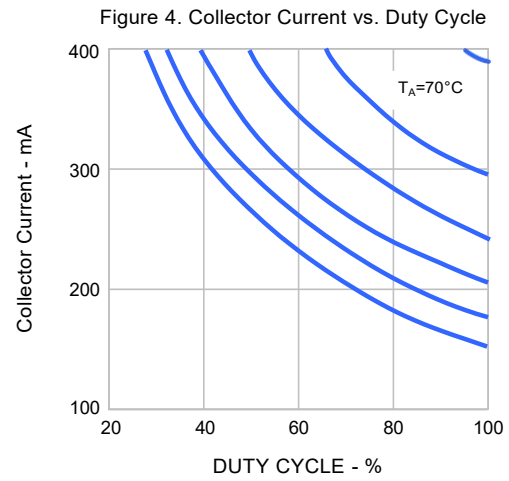
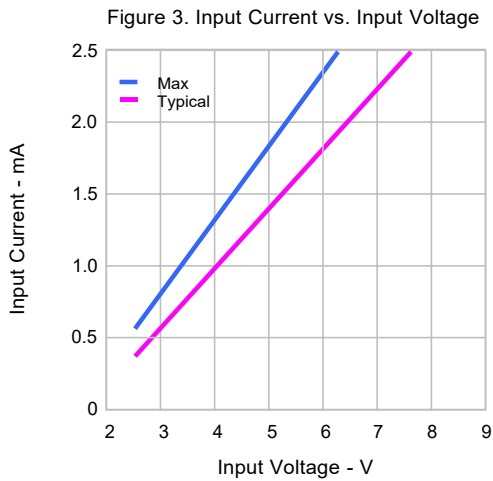
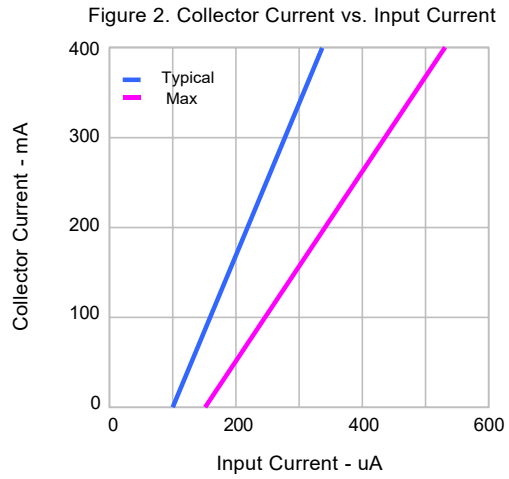
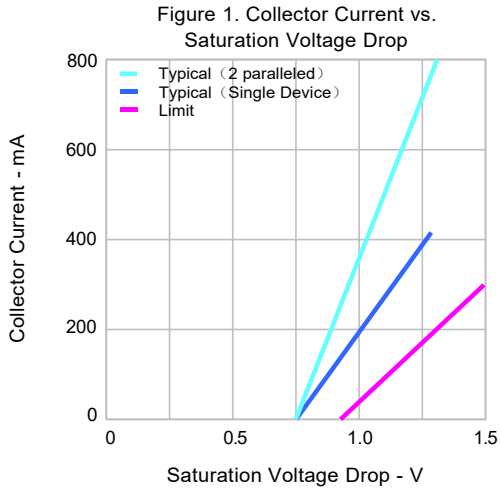
Absolute maximum ratings are stress ratings only and functional device operation is not implied. Electrical Characteristics are for normal operating range;

2. All the conditions are suitable for darlington pairs unless otherwise noted;

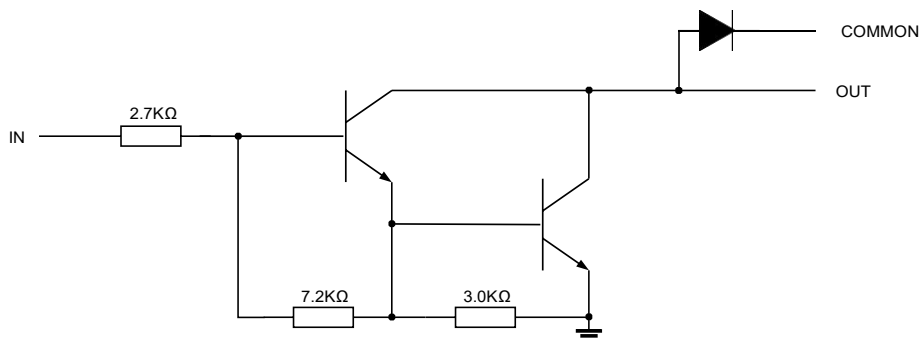
3. In general, with 70°C, V<sub>CE</sub> (Sat)= 1.6V, pulse width=20ms, the continuous operating current of each channel is 350mA.

DARLINGTON ARRAY DRIVER IC

TYPICAL CHARACTERISTIC CURVES



INTERNAL EQUIVALENT CIRCUIT



TEST CIRCUITS

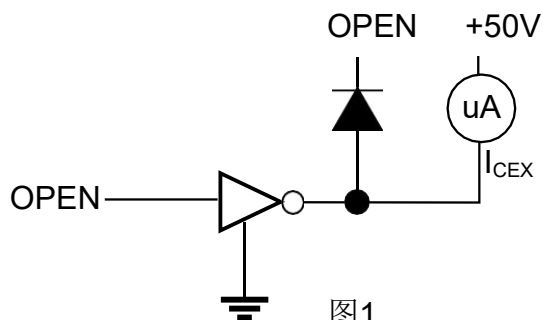


图1

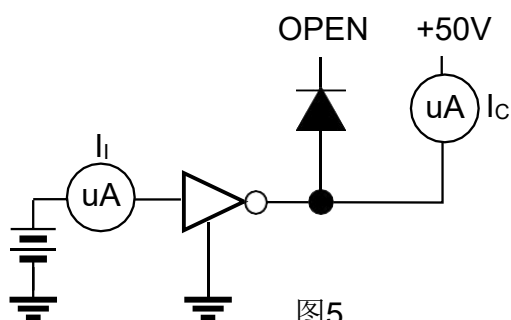


图5

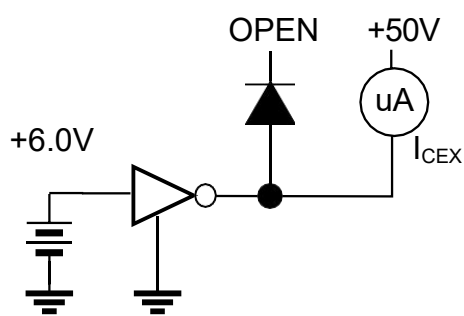


图2

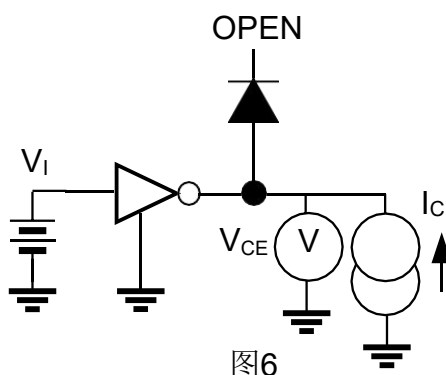


图6

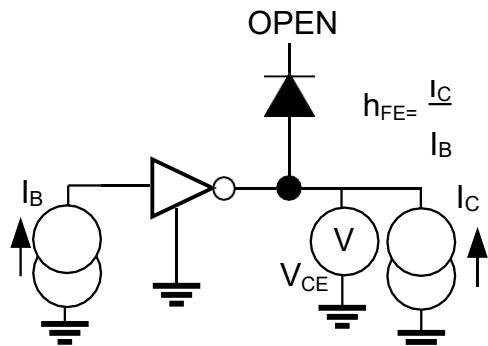


图3

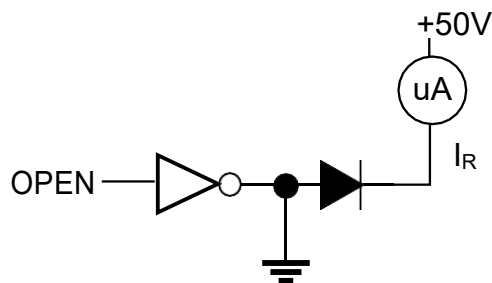


图7

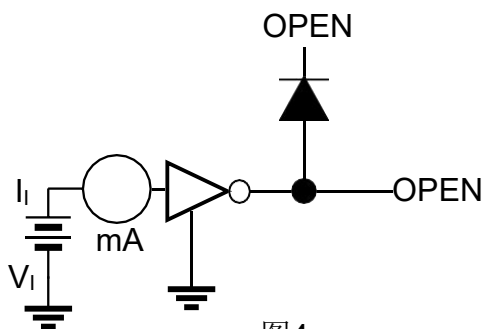


图4

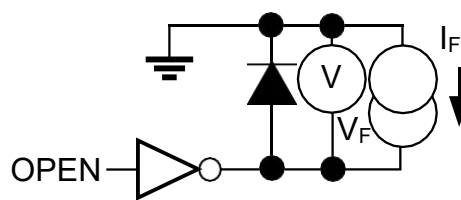


图8

PACKAGE OUTLINE

DARLINGTON ARRAY DRIVER IC

